

NEVP series cable glands for lead sheathed armoured cables

NEVP series cable glands are suitable for use in areas with the risk of explosion, allowing the direct insertion of armoured cables in explosion proof enclosures and the installation of lead sheathed cables. They are supplied with a sealing ring which is stretched over the cable at the inlet to guarantee 'Ex d' execution, and a second compression ring which is stretched over the cable armour at the outlet to guarantee an IP 66/68 protection rating, and a metal ring which affixes to the outer surface of the lead sheath as it is wound, fastening it in place. Their structure makes them suitable for environments which are particularly difficult, such as marine environments, or where there are subjected to the mechanical stresses and impacts which often occur in heavy industry, where safety is the utmost priority.



Interactive Point



[Safety, use and maintenance instructions](#)

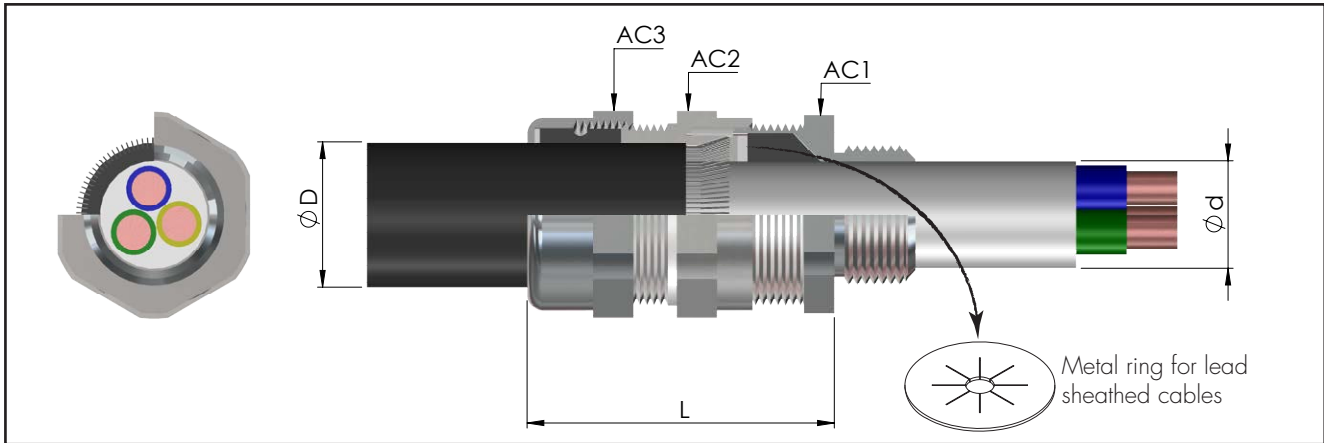
Classification: 2014/34/EU	Group II	Category 2GD/3G
Installation: EN 60079.14	zone 1 - zone 2 (Gas)	zone 21 - zone 22 (Dust)
Marking:	CE 0722 Ex II 2 GD - Ex db IIC Gb - Ex eb IIC Gb Ex tb IIIC Db - Ex nR IIC Gc - IP66/68	
Certification:	ATEX (category 2):	IMQ 17 ATEX 016X
	ATEX (category 3):	IMQ 17 ATEX 017X
Certification:	IEC Ex IECEx IMQ 17.0010X	All IEC Ex certification data can be downloaded at www.cortemgroup.com
	TR CU	Work in progress
Standards:	CENELEC EN 60079-0: 2012+A11:2013, EN 60079-1: 2016, EN 60079-7: 2016, EN 60079-15: 2012, EN 60079-31: 2015 and EUROPEAN DIRECTIVE 2014/34/EU IEC60079-0 2011 IEC60079-1 2014 IEC60079-7 2015 IEC60079-15 2015 IEC60079-31 2013 RoHS Directive 2002/95/EC	
Operating temperature:	-60 °C +130 °C	
Protection rating:	IP66/68 (30 metres - 12 hours)	

Certificates are available on www.cortemgroup.com

ACCESSORIES UPON REQUEST

Locknuts	ISO thread	Nickel-plated brass	Galvanized steel	Stainless steel	Black PVC protectors	CG	Code	
	M16x1,5	DL01B	DL01G	DL01S		NEVP1NB	PGA01F	
	M20x1,5	DL11B	DL11G	DL11S		NEVP1SNB	PGA1N	
	M25x1,5	DL21B	DL21G	DL21S		NEVP1NB	PGA1	
	M32x1,5	DL31B	DL31G	DL31S		NEVP2NB	PGA2N	
	M40x1,5	DL41B	DL41G	DL41S		NEVP3NB	PGA4	
	M50x1,5	DL51B	DL51G	DL51S		NEVP4NB	PGA5	
	M63x1,5	DL61B	DL61G	DL61S		NEVP5SNB	PGA5	
	For ISO threads	Nickel-plated brass	Stainless steel	Serrated stainless steel lock washers *			NEVP5NB	PGA5N
	M16x1,5	A0131B	A0131S				NEVP6SNB	PGA6
	M20x1,5	A1311B	A1311S				RD101S/A4	NEVP6NB
	M25x1,5	A2312B	A2312S		RD11S/A4		NEVP7SNB	GTR Heat-shrinkable
	M32x1,5	A3313B	A3313S		RD12S/A4		NEVP7NB	
	M40x1,5	A4314B	A4314S		RD13S/A4		NEVP8NB	
	M50x1,5	A5315B	A5315S		RD14S/A4		NEVP9NB	
M63x1,5	A6316B	A6316S	RD15S/A4		NEVP10NB			
				RD16S/A4				

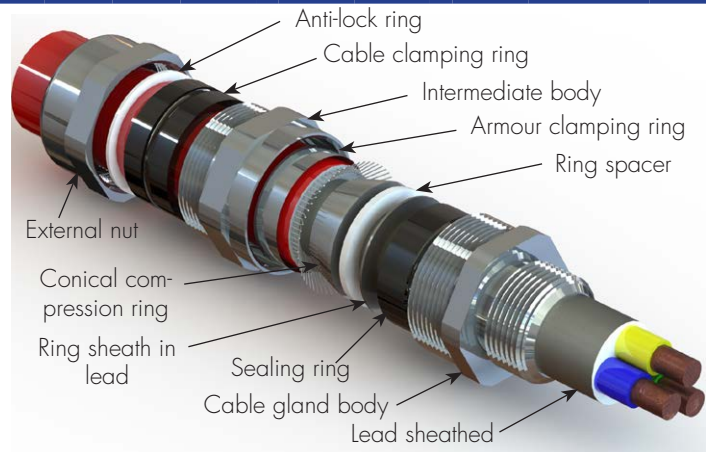
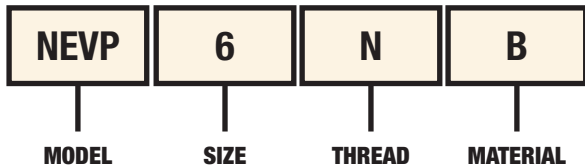
* For different threads, contact the sales department.



CABLE GLAND SELECTION TABLE

Code Nickel-plated brass	Thread	Code Nickel-plated brass	Thread	Dimensions in mm				Range		Armour thickness	Weight Kg
				AC1	AC2	AC3	L	Ød min-max Internal cable sheath	ØD min-max Outer sheath of the cable		
NEVP01NB	3/8" NPT	NEVP16IB	M16x1,5	24	24	24	59	3.5 - 8.6	6 - 13.2	0.2 - 1.3	0,145
NEVP1SNB	1/2" NPT	NEVP20SIB	M20x1,5	24	26	26	59	6.3 - 11.6	9.5 - 16	0.2 - 1.3	0,157
NEVP1NB	1/2" NPT	NEVP20IB	M20x1,5	30	32	32	61	6.5 - 14	12.5 - 21	0.2 - 1.4	0,215
NEVP2NB	3/4" NPT	NEVP25IB	M25x1,5	36	38	38	61	11 - 20	20 - 27.5	0.2 - 1.6	0,261
NEVP3NB	1" NPT	NEVP32IB	M32x1,5	45	47	47	72	17 - 27	23.5 - 34	0.2 - 2.0	0,433
NEVP4NB	1 1/4" NPT	NEVP40IB	M40x1,5	50	52	52	73	22 - 32	26 - 40	0.2 - 2.2	0,514
NEVP5SNB	1 1/2" NPT	NEVP50SIB	M50x1,5	55	57	80	80	29.5 - 38	35 - 46.5	0.2 - 2.5	0,610
NEVP5NB	2" NPT	NEVP50IB	M50x1,5	60	62	62	81	35.5 - 44	38 - 53	0.2 - 2.5	0,562
NEVP6SNB	2" NPT	NEVP63SIB	M63x1,5	68	75	77	91	40 - 50	45.5 - 59.5	0.2 - 2.5	1,151
NEVP6NB	2 1/2" NPT	NEVP63IB	M63x1,5	73	80	82	93	47 - 56	54.5 - 66	0.2 - 2.5	1,100
NEVP7SNB	2 1/2" NPT	NEVP75SIB	M75x1,5	80	85	90	97	53 - 62	57 - 72	0.2 - 2.8	1,308
NEVP7NB	3" NPT	NEVP75IB	M75x1,5	85	95	100	99	59 - 68	66.5 - 78.5	0.2 - 2.8	1,538
NEVP8NB	3" NPT	NEVP90IB	M90x1,5	100	105	110	104	66 - 79	76.5 - 90	0.2 - 2.8	2,000
NEVP9NB	3 1/2" NPT	NEVP100IB	M100x1,5	115	120	120	111	76 - 91	86 - 101	0.2 - 3.3	2,381
NEVP10NB	4" NPT	NEVP115IB	M115x1,5	120	125	130	112	86 - 98	100 - 110	0.2 - 3.5	2,783

Sample order code



TECHNICAL NOTES:

- Silicone o-rings are supplied for cylindrical threads (ISO metric) for the pre-assembled IP seal on the cable gland
- The ISO7/1 thread version is available upon request (sample code NEVP1B)
- Also available in stainless steel (sample code NEVP1S)
- Also available in galvanised steel (sample code NEVP1G)
- For "Ex i" intrinsic safety version, RAL 5015 blue nut (sample code NEVP1SIA)
- Internal ring for armoured cables with larger cross-section