



EXPLOSION PROOF BLUETOOTH SERIAL ADAPTER

The Solexy Bluetooth wireless serial adapter is a cost effective solution for serial data transmission in hazardous location, where plug or un-plug to a serial port is not usually possible.


Available for RS232 or RS485/422 serial port, making it a flexible solution for M2M applications allowing the creation of a virtual cable to connect Ex laptop or tablet to serial ports.

With Solexy's SWA and SWS enclosures and their rugged construction water proof IP66, IP68, Nema 4 and 4X combined with ATEX, IECEx and North America certificates, Solexy offers a wireless device solution for installation in classified Ex areas (gas, dust and mining) and harsh environments, including temporary submersion.

APPROVALS

ATEX / IECEx CERTIFICATION

Zone 1, 2, 21 & 22

 I M2(M1) Ex db mb [ia Ma] I Mb (SWS only)
 II 2(1) G Ex db mb [ia Ga] IIC T5 Gb
 II 2(1) D Ex mb tb [ia Da] IIIC T100°C Db

USA & CANADA CERTIFICATION

Class I, Division 1, Groups B, C and D
 Class II, Division 1, Groups E, F and G
 Class I, Zone 1, Groups IIB+H2

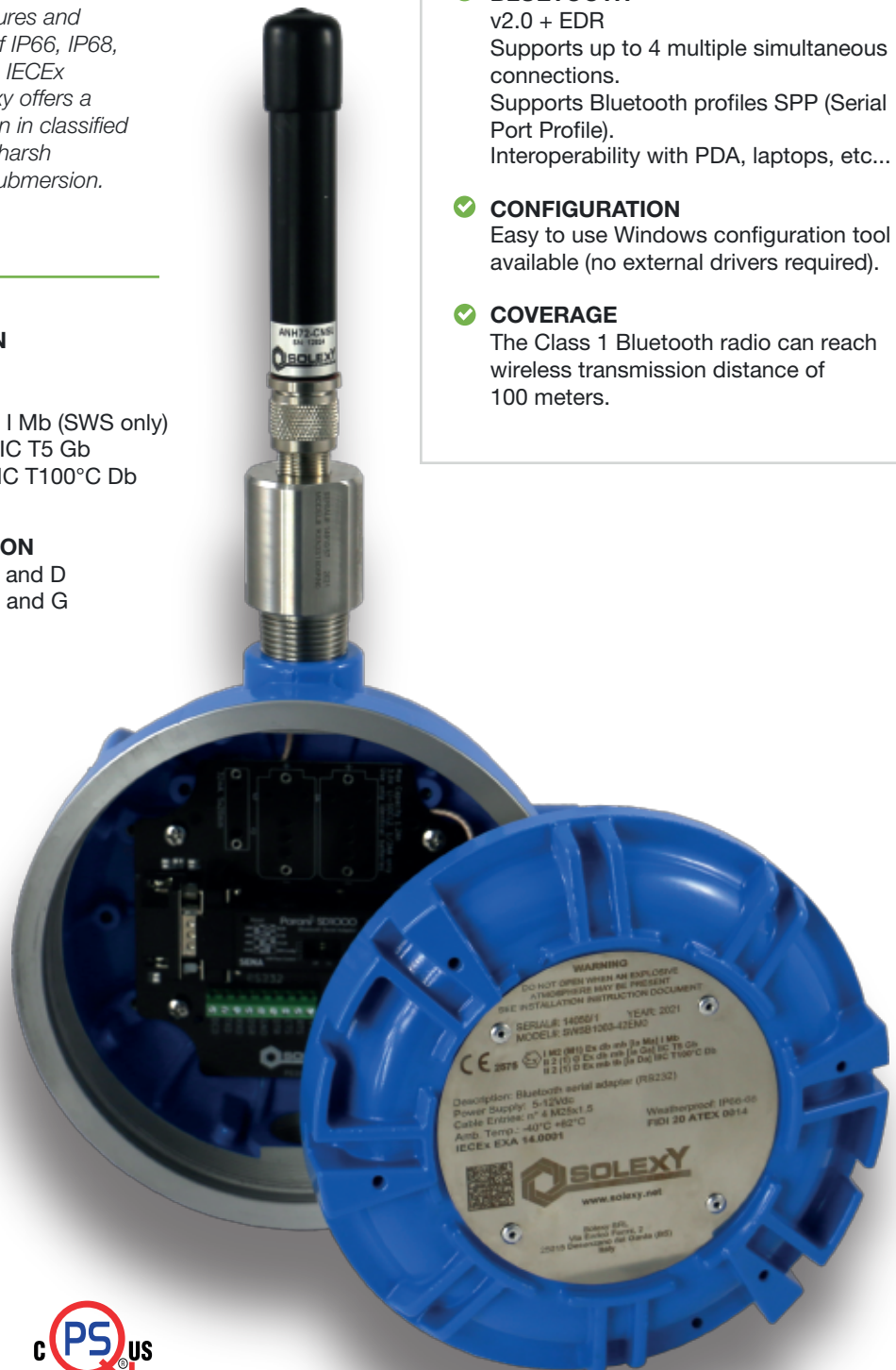
[For U.S. only]

Zone 21, Groups IIIC

[For U.S. only]

FEATURES

- ✓ **OPERATING FUNCTIONS**
RS232 or RS485/RS422 serial cable replacement.
- ✓ **BLUETOOTH**
v2.0 + EDR
Supports up to 4 multiple simultaneous connections.
Supports Bluetooth profiles SPP (Serial Port Profile).
Interoperability with PDA, laptops, etc...
- ✓ **CONFIGURATION**
Easy to use Windows configuration tool available (no external drivers required).
- ✓ **COVERAGE**
The Class 1 Bluetooth radio can reach wireless transmission distance of 100 meters.



SOLEXY SRL

Via Enrico Fermi, 2 - 25015 Desenzano del Garda (BS) ITALY . Phone: (+39) 030 787.0.787 - Fax: (+39) 030 787.0.777 . Email: info@solexy.net - Piva/VAT/CF 03471700983

SPECIFICATIONS

GENERAL	
Power supply	5-12VDC
Power consumption	min 2 mA - max 80 mA
Ambient temp. range	USA & CANADA SWA series: -40°C (-40°F) +85°C (+185°F) SWS series: -40°C (-40°F) +85°C (+185°F) ATEX & IECEX SWA series: -40°C (-40°F) +83°C (+181°F) SWS series: -40°C (-40°F) +82°C (+179°F)
Weight	SWA: 2.3 kg (without antenna) SWS: 4.9 kg (without antenna)
SERIAL INTERFACE	
Serial speed	up to 921.6 kbps
CTR/RTS flow control DTR/DSR for loop-back & full transfer (B10 type only)	
RADIO	
Max TX power	+18 dBm
Max EDR Transmit power	+6 dBm
Receiver sensitivity	-88 dBm
BLUETOOTH INTERFACE	
Bluetooth	v2.0 + EDR
Class	1
Profile	SPP

NOMENCLATURE

SWA B10 03 - 42 1 X0
a b c d e

a - Enclosure

SWA Aluminum polyester powder coated
SWS Stainless steel AISI 316 (CF8M) electropolish

b - Device

B10 RS232 Bluetooth serial adapter
B11 RS485/RS422 Bluetooth serial adapter

c - Antenna connection ⁽¹⁾

03 n° 1 RXN antenna barrier (N Female)
04 n° 1 RXF antenna barrier (RP-SMA Female)
05 n° 1 RXS antenna barrier (SMA Female)

d - Cable entries

42 n° 4 3/4" npt-f (one used for antenna connection)
44 n° 4 M25x1.5 (one used for antenna connection)

e - Approvals

X0 Atex/IECEX Gas and Dust certified ⁽³⁾
M0 Atex/IECEX Gas, Dust and mining certified ⁽³⁾
N0 QPS CL1 DIV1 and North American Zones listed

Notes:

⁽¹⁾ Antenna not included

⁽²⁾ Layout 2 (consult dimensional drawings for specific layout)

⁽³⁾ Zone 1, 2, 21 & 22

AVAILABLE ACCESSORIES

ANTENNAS:

ANF72: flexible dipole (2.4GHz/2dBi)
ANH73: heavy duty J-Pole (2.4GHz/4.35dBi)

MOUNTING BRACKET: KM-01: mounting kit for 2" pipe
(see dedicated data sheet) KM-02: universal mounting kit

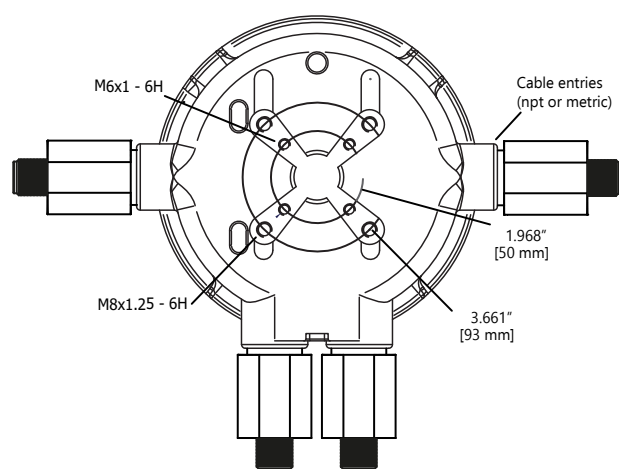
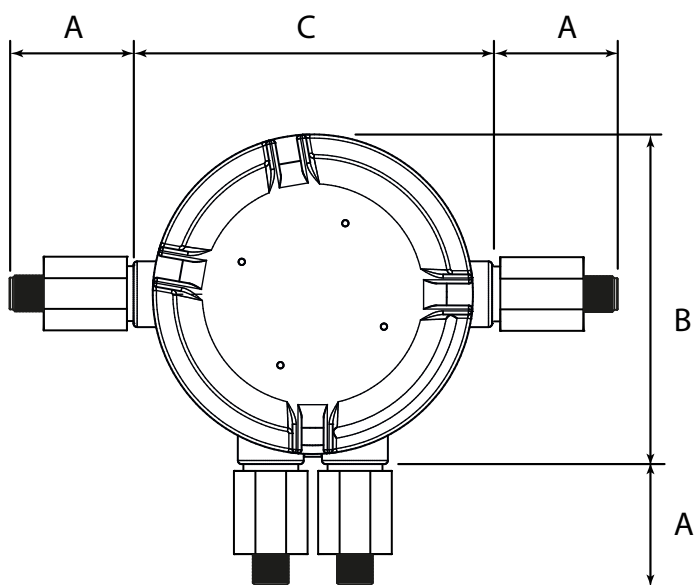
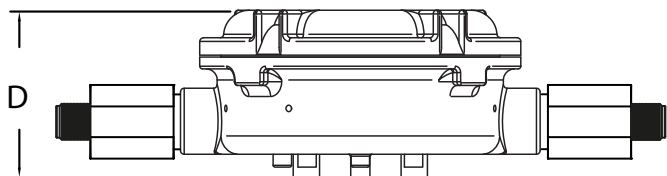




DIMENSIONAL DRAWINGS

In order to determine overall dimension of a specific unit pls follow instructions:

- 1) Select the specific layout (you can find it in the product nomenclature)
- 2) Consider only the antenna coupler dimension (A) that you find in the layout

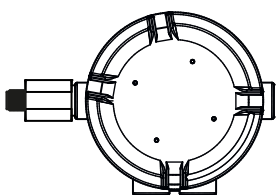


Model	A (*)	B	C	D
SWA HWA	58,5 mm [2.30"] metric coupler 70 mm [2.76"] npt coupler	179,8 mm [7.08"]	180 mm [7.09"]	89,5 mm [3.52"]
SWS HWS	58,5 mm [2.30"] metric coupler 70 mm [2.76"] npt coupler	180,5 mm [7.11"]	196 mm [7.72"]	90 mm [3.54"]

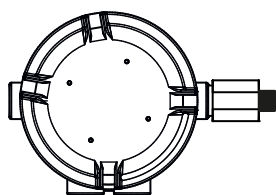
(*) max dimension related to RX or SX coupler with N female antenna connector

TYPICAL LAYOUTS **

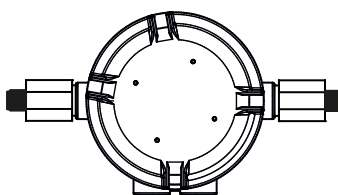
Layout 1



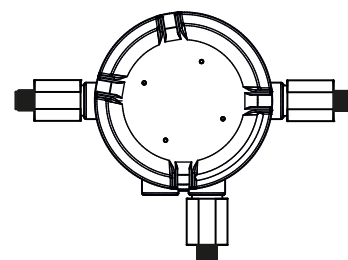
Layout 2



Layout 3



Layout 4



(**) layout type specified in device datasheet

