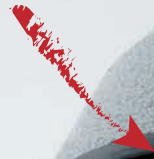


# EVE

- Optimal performance at high (+60°C) and low (-50°C) temperatures
- Easy to install, low maintenance costs
- Zone 1, 2, 21, 22

*Silicon gasket*



*Stainless steel protective guard*



*4 Joule shock resistant borosilicate glass globe*



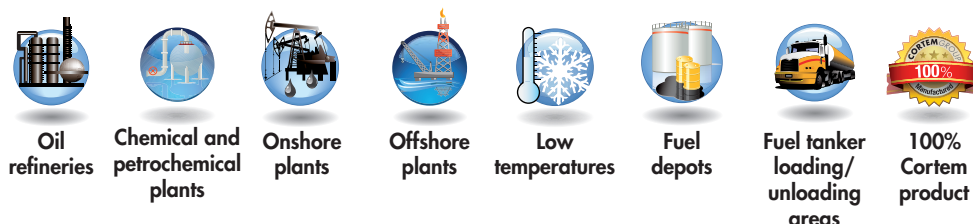
*Stainless steel reflector fixing screw*



# EVE series Lighting fixtures for traditional and LED lamps

EVE series lighting fixtures have been specially designed for use in the petrochemical and oil refining industries as they combine beauty and functionality along with high performance and simplicity in complete compliance with the technological requirements of the "Ex sector". The low copper content aluminium alloy, shockproof borosilicate glass and electro-polished stainless steel components make these lighting fixtures ideal for use in environments with corrosive atmospheric agents, salts and industrial pollution. Mechanical characteristics such as ceramic lamp holders with high heat resistance and insulating properties and acid-proof silicone gaskets guarantee a long working life with little maintenance. Scheduled maintenance work involves simply cleaning the glass that, thanks to its IP66 protection, can be safely cleaned with a wet cloth. Electrical connection is made via a terminal box in a "Ex e" compartment that allows the entry to the lighting fixture through an "Ex" O-ring (non barrier) cable gland as specified in the installation specification standards (EN/IEC 60079-14).

## Application sectors



## CERTIFICATION DATA

<b>Classification:</b>	Group II	Categoria 2GD		
<b>Installation:</b> EN 60079.14	zone 1 - zone 2 (Gas)	zone 21 - zone 22 (Dust)		
<b>Marking:</b>	CE 0722 Ex II 2GD Ex de IIC T.. Gb - Ex tb IIIC T..°C Db IP66			
<b>Certification:</b>	ATEX	CESI 12 ATEX 006		
	IEC Ex	CES 07.0004	All IEC Ex and TR CU certification data can be downloaded at <a href="http://www.cortemgroup.com">www.cortemgroup.com</a>	
	TR CU	AVAILABLE		
<b>Standards:</b>	CENELEC EN 60079-0: 2012, EN 60079-1: 2007, EN 60079-7: 2007, EN 60079-31: 2009 and EUROPEAN DIRECTIVE 2014/34/UE IEC 60079-0: 2011, IEC 60079-1: 2007, IEC 60079-7: 2007, IEC 60079-31: 2008 European Directive 2004/108 Electromagnetic compatibility European Directive 2012/19/UE, 2002/96/CE, 2003/108/CE WEEE European Directive 2011/65/UE RoHS			
<b>Class temperature:</b>	See the selection table			
<b>Ambient temperature:</b>	-20°C +60°C			
<b>Degree of protection:</b>	IP66			

# EVE series Lighting fixtures for traditional and LED lamps



ORIGINAL PRODUCT

## MECHANICAL FEATURES

<b>Body:</b>	Low copper content aluminium alloy
<b>Globe:</b>	Shock and temperature resistant borosilicate glass with aluminium shade ring
<b>Gaskets:</b>	Acid/hydrocarbon resistant silicone
<b>Guard:</b>	Electro-polished stainless steel. Can also be supplied on request without a guard as the lighting fixture has passed the glass breakage test (4 Joule EN60079-0 / IEC60079-0)
<b>Mounting:</b>	See "EVE series dimensional drawings"
<b>Bolts and screws:</b>	Stainless steel
<b>Entries:</b>	See "EVE series dimensional drawings"
<b>Coating:</b>	Polyester coating Ral 7035 (Light grey)
<b>Corrosion Resistance</b>	The STANDARD of the aluminium alloy used by Cortem has passed the tests required by standards EN60068-2-30 (hot/humid cycles) and EN60068-2-11 (salt mist tests)


## ELECTRICAL FEATURES

<b>Lamp holder:</b>	E27 or E40 ceramic
<b>Rated voltage:</b>	230 V AC
<b>Rated frequency:</b>	50/60 Hz
<b>Connection:</b>	Direct connection to the terminal box L, N, Pe. Section 4mm <sup>2</sup>

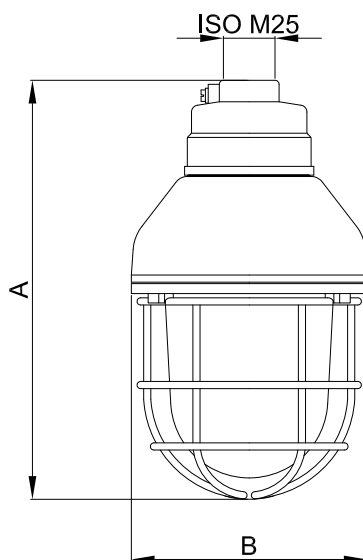
## ACCESSORIES AVAILABLE / SPECIAL REQUESTS

LED lamps  
External reflector  
Cable gland: NAV25IB for armored or NEV25IB for non-armored cable  
Warning signs: G-0513  
Swivel bracket for inclined mounting

# EVEA series selection chart Pendant mounting

Code	Dimensions mm		Lamp type	Lamp holder	Watt	Class Ta=+60°C	Max Surface Temperature °C	Weight kg	 mm
	A	B							
EVEA-5050	261	150	AL	E 27	70	T4	123	1,9	160x150x330
EVEA-5050	261	150	AL	E 27	105	T3	154	1,9	160x150x330
EVEA-5050	261	150	AL	E 27	140	T3	154	1,9	160x150x330
EVEA-5050	261	150	ELS	E 27	15	T6	84	1,9	160x150x330
EVEA-5050	261	150	LED	E 27	8	T6	74	1,9	160x150x330
EVEA-5050	323	170	EL	E 27	23	T5	86	2,7	190x170x390
EVEA-5060	323	170	ELS	E 27	23	T5	86	2,7	190x170x390
EVEA-5060	323	170	LED	E 27	12	T6	74	2,7	190x170x390

## EVEA Pendant mounting




### Key

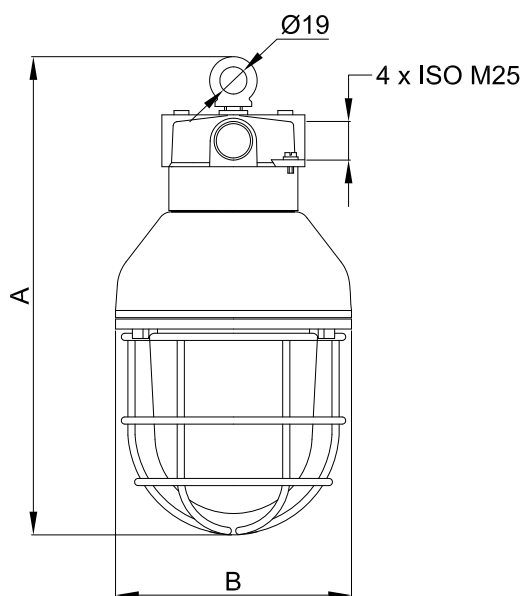
**EL = Linear tubes (FBT)**  
**AL = Halogen (HSGSA)**  
**MIX = Mixed light (QB)**  
**ELS = Spiral tubes (FB)**  
**LED = With LED (DB)**

Dimensions in mm

# EVEGC series selection chart Pendant mounting with eyebolt

Code	Dimensions mm		Lamp type	Lamp holder	Watt	Class Ta=+60°C	Max Surface temperature °C	Weigth kg	 mm
	A	B							
EVEGC-5050	296	150	AL	E 27	70	T4	123	2,1	160x150x330
EVEGC-5050	296	150	AL	E 27	105	T3	154	2,1	160x150x330
EVEGC-5050	296	150	AL	E 27	140	T3	154	2,1	160x150x330
EVEGC-5050	296	150	ELS	E 27	15	T6	84	2,1	160x150x330
EVEGC-5050	296	150	LED	E 27	8	T6	74	2,1	160x150x330
EVEGC-5060	358	170	EL	E 27	23	T5	86	2,8	190x170x390
EVEGC-5060	358	170	ELS	E 27	23	T5	86	2,8	190x170x390
EVEGC-5060	358	170	LED	E 27	12	T6	74	2,8	190x170x390

## EVEGC Pendant mounting with eyebolt




### Key

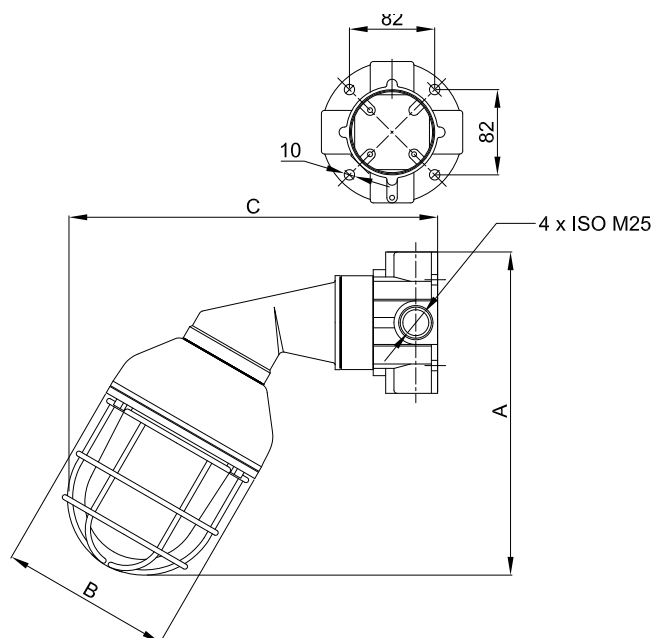
**EL = Linear tubes (FBT)**  
**AL = Halogen (HSGSA)**  
**MIX = Mixed light (QB)**  
**ELS = Spiral tubes (FB)**  
**LED = With LED (DB)**

Dimensions in mm

# EVEIX series selection chart Wall mounting

Code	Dimensions mm			Lamp type	Lamp holder	Watt	Class Ta=+60°C	Max Surface temperature °C	Weight kg	 mm
	A	B	C							
EVEIX-5050	285	150	310	AL	E 27	70	T4	123	2,9	190x170x390
EVEIX-5050	285	150	310	AL	E 27	105	T3	154	2,9	190x170x390
EVEIX-5050	285	150	310	AL	E 27	140	T3	154	2,9	190x170x390
EVEIX-5050	285	150	310	ELS	E 27	15	T6	84	2,9	190x170x390
EVEIX-5050	285	150	310	LED	E 27	8	T6	74	2,9	190x170x390
EVEIX-5060	339	170	344	EL	E 27	23	T5	86	3,7	260x210x490
EVEIX-5060	339	170	344	ELS	E 27	23	T5	86	3,7	260x210x490
EVEIX-5060	339	170	344	LED	E 27	12	T6	74	3,7	260x210x490

## EVEIX Wall mounting with 30° bracket




### Key

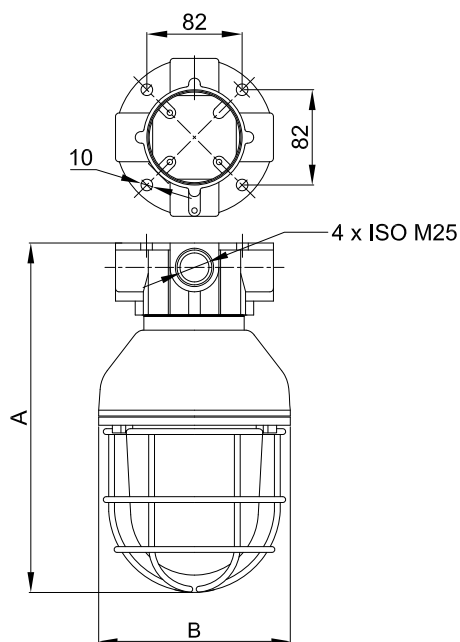
**EL = Linear tubes (FBT)**  
**AL = Halogen (HSGSA)**  
**MIX = Mixed light (QB)**  
**ELS = Spiral tubes (FB)**  
**LED = With LED (DB)**

Dimensions in mm

# EVEX series selection chart Ceiling mounting

Code	Dimensions mm		Lamp type	Lamp holder	Watt	Class Ta=+60°C	Max Surface temperature °C	Weight kg	 mm
	A	B							
EVEX-5050	260	150	AL	E 27	70	T4	123	1,9	160x150x330
EVEX-5050	260	150	AL	E 27	105	T3	154	1,9	160x150x330
EVEX-5050	260	150	AL	E 27	140	T3	154	1,9	160x150x330
EVEX-5050	260	150	ELS	E 27	15	T6	84	1,9	160x150x330
EVEX-5050	260	150	LED	E 27	8	T6	74	1,9	160x150x330
EVEX-5060	322	170	EL	E 27	23	T5	86	3,3	190x170x390
EVEX-5060	322	170	ELS	E 27	23	T5	86	3,3	190x170x390
EVEX-5060	322	170	LED	E 27	12	T6	74	3,3	190x170x390

## EVEX Ceiling mounting




### Key

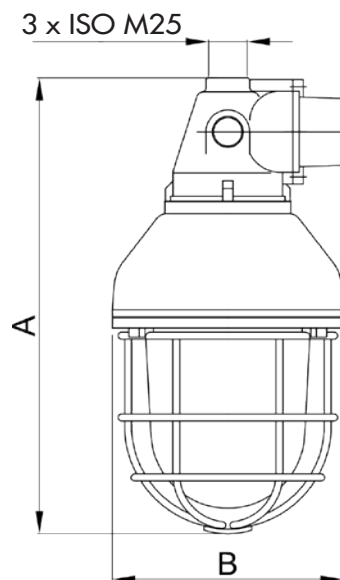
**EL = Linear tubes (FBT)**  
**AL = Halogen (HSGSA)**  
**MIX = Mixed light (QB)**  
**ELS = Spiral tubes (FB)**  
**LED = With LED (DB)**

Dimensions in mm

# Selection chart for lighting fixtures with loop-in/loop out systems

Code	Dimensions mm		Lamp type	Lmap holder	Watt	Class Ta=+60°C	Max Surface temperature °C	Weight kg	 mm
	A	B							
EVE -5050	294	150	AL	E 27	70	T4	123	2,2	160x150x330
EVE -5050	294	150	AL	E 27	105	T3	154	2,2	160x150x330
EVE -5050	294	150	AL	E 27	140	T3	154	2,2	160x150x330
EVE -5050	294	150	ELS	E 27	15	T6	84	2,2	160x150x330
EVE -5050	294	150	LED	E 27	8	T6	74	2,2	160x150x330
EVE-5060	356	170	EL	E 27	23	T5	86	3,5	190x170x390
EVE-5060	356	170	ELS	E 27	23	T5	86	3,5	190x170x390
EVE-5060	356	170	LED	E 27	12	T6	74	3,5	190x170x390

## EVE Pendant mounting



### Key

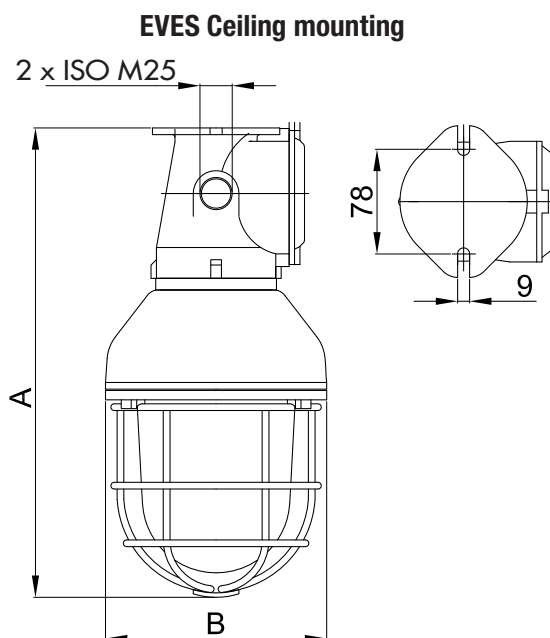
- EL = Linear tubes (FBT)
- AL = Halogen (HSGSA)
- MIX = Mixed light (QB)
- ELS = Spiral tubes (FB)
- LED = With LED (DB)

Dimensions in mm



# Selection chart for lighting fixtures with loop-in/loop out systems

Code	Dimensions mm		Lamp type	Lamp golder	Watt	Classe Ta=+60°C	Max Surface temperature °C	Weight kg	 mm
	A	B							
<b>EVES -5050</b>	317	150	AL	E 27	70	T4	123	2,7	160x150x330
<b>EVES -5050</b>	317	150	AL	E 27	105	T3	154	2,7	160x150x330
<b>EVES -5050</b>	317	150	AL	E 27	140	T3	154	2,7	160x150x330
<b>EVES -5050</b>	317	150	ELS	E 27	15	T6	84	2,7	160x150x330
<b>EVES -5050</b>	317	150	LED	E 27	8	T6	74	2,7	160x150x330
<b>EVES-5060</b>	379	170	EL	E 27	23	T5	86	3,5	190x170x390
<b>EVES-5060</b>	379	170	ELS	E 27	23	T5	86	3,5	190x170x390
<b>EVES-5060</b>	379	170	LED	E 27	12	T6	74	3,5	190x170x390



**Key**

EL = Linear tubes (FBT)  
 AL = Halogen (HSGSA)  
 MIX = Mixed light (QB)  
 ELS = Spiral tubes (FB)  
 LED = With LED (DB)

Dimensions in mm

## DON'T FORGET TO ORDER THE ACCESSORIES

**Example:** Type of lighting fixture +  
EVEA-5060

Lamp  
LAMP-PL23

+ Dome reflector  
G60-427D
















+ other... see key



## EVE... series Accessories and spare parts available on request

ILLUSTRATION	DESCRIPTION	MODEL	FEATURES	CODE	KEY
	LED lamp	E27	8 W (DB8W)	LAMPLED8W	 
		E27	12 W (DB12W)	LAMPLED12W	
	Cable gland		For models and codes, visit <a href="http://www.cortemgroup.com">www.cortemgroup.com</a>	NAV25IB NEV25IB	 
	Swivel bracket for inclined mounting (see example in installation methods)	50	Material: galvanised steel	G-0543	 
		60			
	Protective guard	50	Material: electro-polished stainless steel	G50-0417	
		60		G60-0417	
	Ceramic lamp holder	E27	250 V 4 A	PORT E-27	
		E40	750 V 16 A	PORT E-40	
	O-ring	Globo 50	Material: silicone	OR-4512SH70S	
		Globo 60		K15-131S	

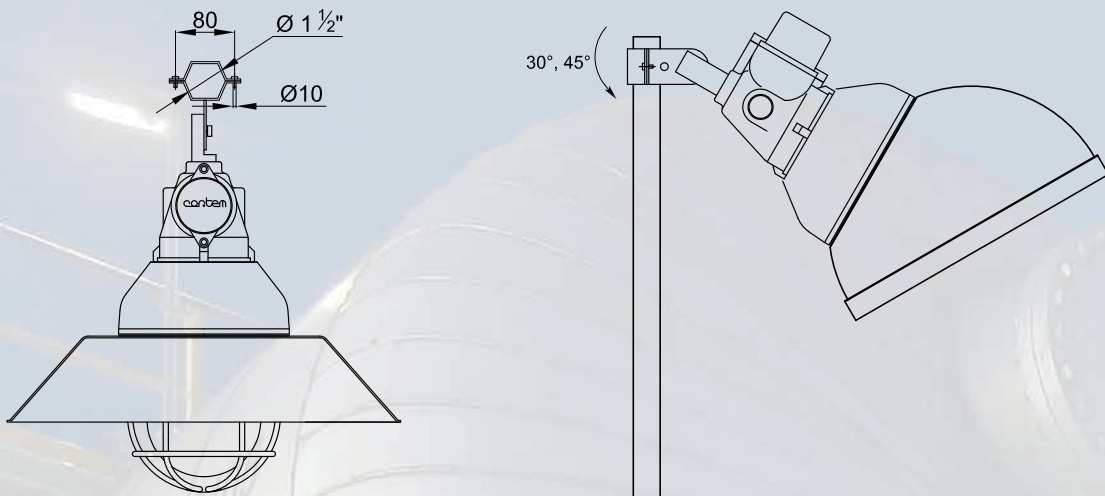
## EVE... series Accessories and spare parts available on request

ILLUSTRATION	DESCRIPTION	MODEL	FEATURES	CODE	KEY
	Warning signs on the frame	50	Materials: translucent film on plexiglass and aluminium frame	G-0513	 
		60		G-0513/1	
	Emergency Exit	G-0513 G-0513/1	Material: film translúcido	U-420/P	 
	Emergency Exit on the right			U-420/P1	
	Emergency Exit on the left			U-420/P2	
	Emergency Exit upward			U-420/P3	
	Emergency Exit downward			U-420/P4	
	Reflector			50	
		60	White painted aluminium Stainless steel	G60-427 G60-427IN	
	Dome reflector	50	Contact our Sales Office for availability		 
		60	White painted aluminium	G60-427D	
	30° inclined dome reflector	50	Contact our Sales Office for availability		 
		60	White painted aluminium	G60-427DI	

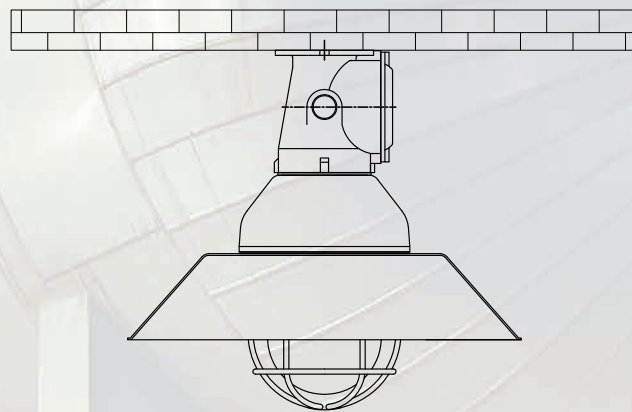
## EVE... series Accessories and spare parts available on request

ILLUSTRATION	DESCRIPTION	MODEL	FEATURES	CODE	KEY
	Ex e pendant mounting EVE	50	3 x entries ISO M25	G-0444	
		60			
	Attacco tipo Ex e a soffitto EVES	50	2 x entries ISO M25	G-0439	
		60			
	Globe with shade ring	50	Borosilicate glass globe Threaded aluminium shade ring	G50-0440CM	
		60		G60-0440CM	
	Pendant eyebolt		Material: galvanised steel	G0F-8	
	Pendant mounting EVEA	50	1 x ISO M25 entry	G-0213I	
		60			
	Pendant mounting with eyebolt EVEGC	50	4 x ISO M25 entries	G-0216I	
		60			
	Ceiling mounting EVEX	50	4 x ISO M25 entries	G-0214I	
		60			
	Wall mounting with 30° bracket	50	4 x ISO M25 entries	G-0215I	
		60			

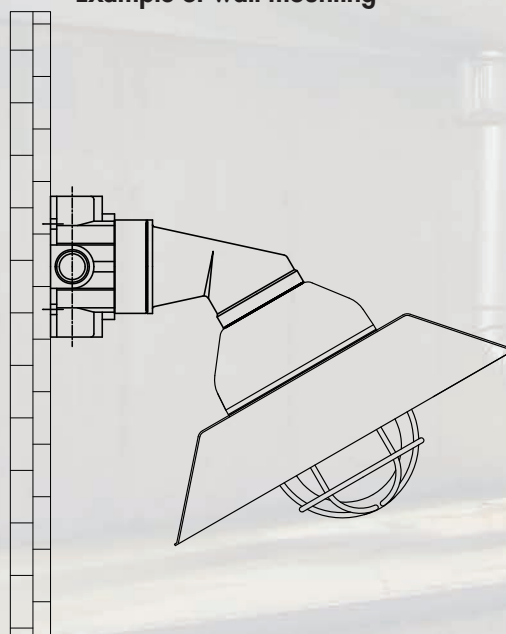
Example of swivel bracket mounting



Example of ceiling mounting with lighting fixture for loop-in/loop-out

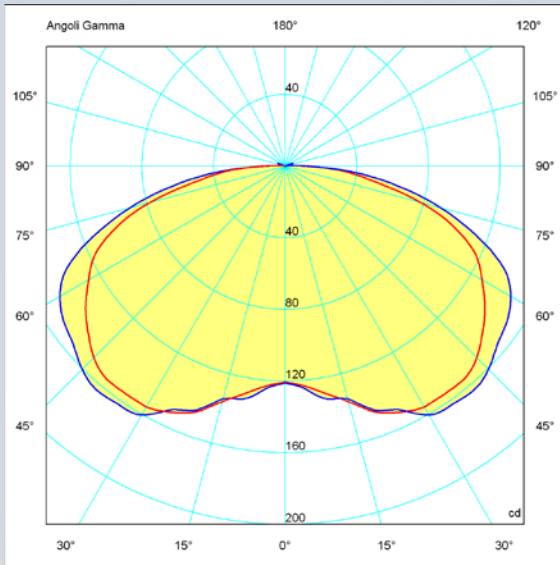


Example of wall mounting

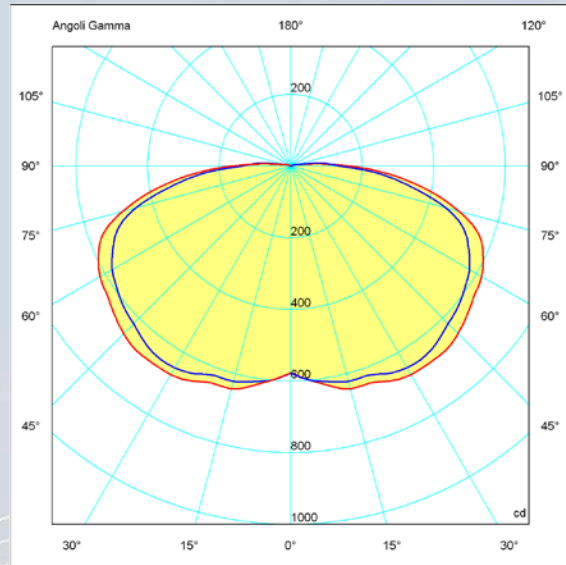


Dimensiones en mm

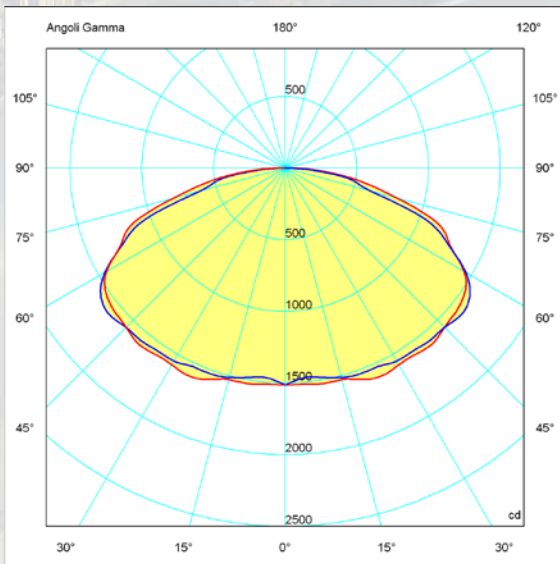
# Photometric diagram



**EVE..5060 23W EL**



**EVE..5080 250W MIX**



**EVE..50100 500W MIX**

On Cortem Group web site you can download .LDT and .IES lighting data files for the design and simulation of lighting levels in 2D and 3D, rendering and ray tracing.

— = plane 90270  
 — = plane 0180