

RLFE

- Fast, easy installation
- Suitable for discharge lamps of up to 400W
- Robust and safe over time
- Zones 1, 2, 21, 22

Mounting bracket



Stainless steel guard



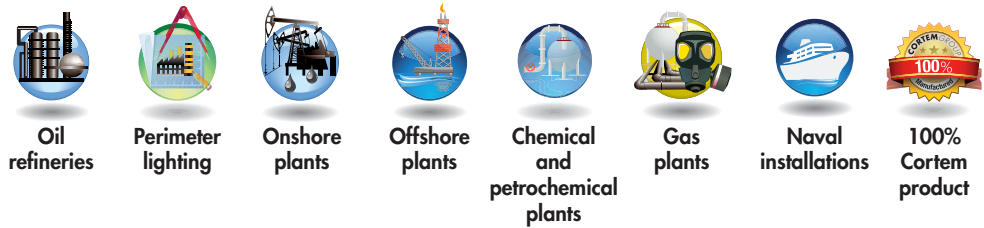
Ex e terminal housing



RLFE series Lighting fixtures for discharge lamps up to 400W

RLFE series lighting fixtures for discharge lamps are ideal for lighting large areas specifically in the chemical, on and off shore petrochemical industries. They are certified for use in Zones 1, 2, 21, 22 and comply with the 2014/34/UE directive. The body of the lighting fixture is made from low copper content aluminium alloy, the globe is made of borosilicate glass and has excellent thermal and mechanical properties. For this reason, the fixture can also be installed without a protective guard as specified in the relevant standards. In the RLFE series, the lamp and lamp holder are separated by a "chamber" housing the ballast and igniter that in turn are separated by a "Ex e" terminal box that is used to connect the lighting fixture to the power supply through a cable gland with an Ex (non barrier) seal as specified in EN/IEC 60079-14. The ease of access to the different "chambers" housing the electrical components means lower installation and maintenance costs and less wear and tear over time means a longer lifespan for the lamp.

Application sectors



CERTIFICATION DATA

Classification:	Group II	Category 2GD		
Installation:	zone 1 - zone 2 (Gas)	zone 21 - zone 22 (Dust)		
Marking:	CE 0722 Ex II 2GD Ex de IIC T.. Gb - Ex tb IIIC T..°C Db IP66			
Certification:	ATEX ITS 12 ATEX 17645X			
	IEC Ex ITS 12.0048X	All IEC Ex and TR CU certification data can be downloaded at www.cortemgroup.com		
	TR CU AVAILABLE			
Standards:	CENELEC EN 60079-0: 2012, EN 60079-1: 2007, EN 60079-7: 2007, EN 60079-31: 2009 and EUROPEAN DIRECTIVE 2014/34/UE IEC 60079-0: 2011, IEC 60079-1:2007, IEC 60079-7:2006, IEC 60079-31: 2008 European Directive 2004/108 Electromagnetic compatibility European Directive 2012/19/UE, 2002/96/CE, 2003/108/CE WEEE European Directive 2011/65/UE RoHS			
Class temperature:	See selection chart			
Ambient temperature:	-20°C +60°C			
Degree of protection:	IP66			

RLFE series Lighting fixtures for discharge lamps up to 400W



ORIGINAL PRODUCT

MECHANICAL FEATURES

Body:	Low copper content aluminium alloy Fitted with cooling fins for better heat dissipation
Globe:	Shock and temperature resistant borosilicate glass sealed with aluminium shade ring
Gaskets:	Acid, hydrocarbon and high temperature resistant silicone
Guard:	Electro-polished stainless steel.
Bolts and screws:	Stainless steel
Entries:	2 x ISO M25 entries. Lighting fixture kit with PLG2IB plug and NAV25IB cable gland
Coating:	Polyester coating Ral 7035 (light grey)
Corrosion Resistance:	The STANDARD of the aluminium alloy used by Cortem has passed the tests required by standards EN60068-2-30 (hot/humid cycles) and EN60068-2-11 (salt mist tests)


ELECTRICAL FEATURES

Lamp holder:	E27 or E40 ceramic
Ballast:	Electromechanical
Rated voltage:	230 V AC
Rated frequency:	50 Hz
Connection:	Direct connection to the terminal board L, N, Pe. Section 4mm ² , suitable for input/output
Power factor:	0.96
Wiring:	Silicone rubber cables with glass braid protection against high temperatures

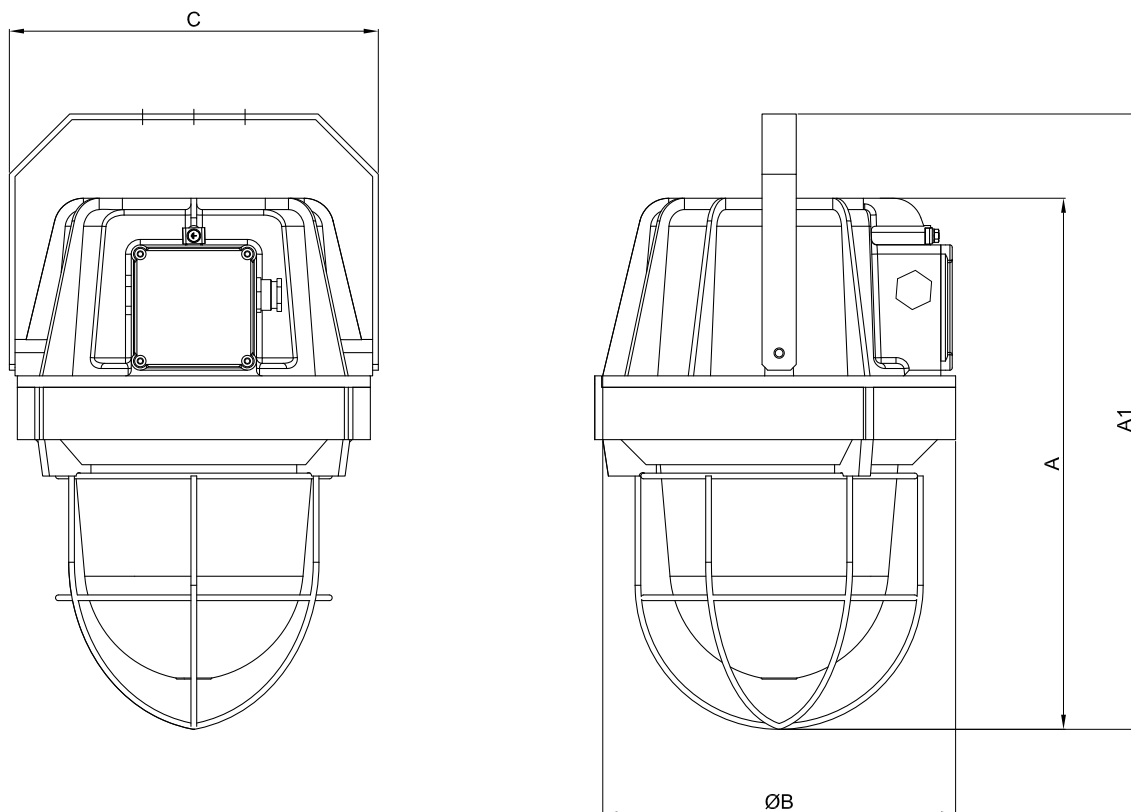
ACCESSORIES AVAILABLE / SPECIAL REQUESTS

Discharge lamp
Different rated voltages
External reflector

RLFE series selection chart

Code	Dimensions mm				Lamp type	Lamp holder	Watt	Class Ta=+60°C	Max surface temp. °C	Weight kg	 mm
	A	A1	ØB	C							
RLFE-80N1	425	495	236	250	Sodium vapour	E 27	70	T4	113	10,5	425x250x250
RLFE-80N2	425	495	236	250	Sodium vapour	E 40	100	T4	125	10,5	425x250x250
RLFE-80N4	425	495	236	250	Sodium vapour	E 40	150	T4	125	10,5	425x250x250
RLFE-80IM1	425	495	236	250	Metal halide	E 27	70	T4	113	10,5	425x250x250
RLFE-80IM2	425	495	236	250	Metal halide	E 27	100	T4	125	10,5	425x250x250
RLFE-80IM4	425	495	236	250	Metal halide	E 27	150	T4	125	10,5	425x250x250
RLFE-100N5	480	565	310	325	Sodium vapour	E 40	250	T4	132	19	480x325x325
RLFE-100IM5	480	565	310	325	Metal halide	E 40	250	T4	132	19	480x325x325
RLFE-110N6	575	645	310	325	Sodium vapour	E 40	400	T4	129	22	475x325x325
RLFE-110IM6	575	645	310	325	Metal halide	E 40	400	T4	129	22	475x325x325

DIMENSIONAL DRAWING



DON'T FORGET TO ORDER THE ACCESSORIES

Example: Type of lighting fixture +
RLFE-110F5

Lamp
LAMP400WHQL

+

Dome reflector
G110-672

+

other... see key



RLFE series Accessories and spare parts available on request

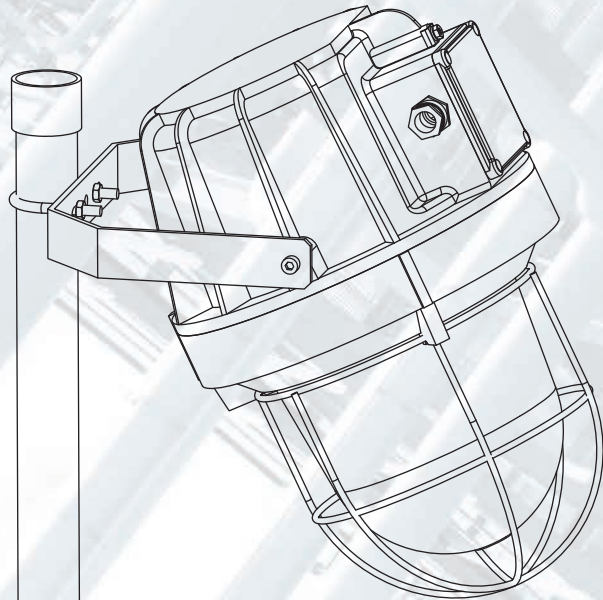
ILLUSTRATION	DESCRIPTION	MODEL	FEATURES	CODE	KEY
	High pressure sodium vapour lamp	E27	70 W (SE70W)	LAMPNAV70WPLUS	 
			100 W (SE100W)	LAMPNAV100WPLUS	
		E40	150 W (SE150W)	LAMPNAV150WPLUS	
			250 W (SE250W)	LAMPNAV250WPLUS	
			400 W (SE400W)	LAMPNAV400WPLUS	
	Metal halide lamp	E27	70 W (ME70W)	LAMP70WJM	 
			100 W (ME100W)	LAMP100WJM	
			150 W (ME150W)	LAMP150WJM	
		E40	230 W (ME250W)	LAMP230WJM	
			360 W (ME400W)	LAMP360WJM	
	Dome reflector	RLFE-80	White painted aluminium	G80-672D	 
		RLFE-100	Contact our Sales Office for availability		
		RLFE-110	Contact our Sales Office for availability		

RLFE series Accessories and spare parts available on request

ILLUSTRATION	DESCRIPTION	MODEL	FEATURES	CODE	KEY
	Protective guard	RLFE-80	Material: Electro-polished stainless steel	G70-0417	
		RLFE-100		G100-0417	
		RLFE-110		G110-0417	
	Mounting bracket	RLFE-80	Material: galvanised steel	G1-670	
		RLFE-100 RLFE-110		G2-670	
	Ceramic lamp holder	E27 (RLFE-80)	250V 4A	PORT E-27/X	
		E27	250V 4A	PORT E-27	
		E40	750V 16A	PORT E-40	
	Igniter		50-400W	R100	
	Cable gland	ISO M25	(std. range cable 11÷20)	NAV25IB	
	Metal capacitor		7 µF	F-70	
			8 µFv	F-80	
			10 µF	F-125	
			12 µF	F-12	
			20 µF	F-20	
	Ballast for sodium vapour and metal halide lamp		70 W	W R-70NAAP	
			100 W	R-100NA	
			150 W	R-150NA	
			250 W	R-250NA	
			400 W (sodio)	R-400NA	
			400 W (ioduri)	R-400	

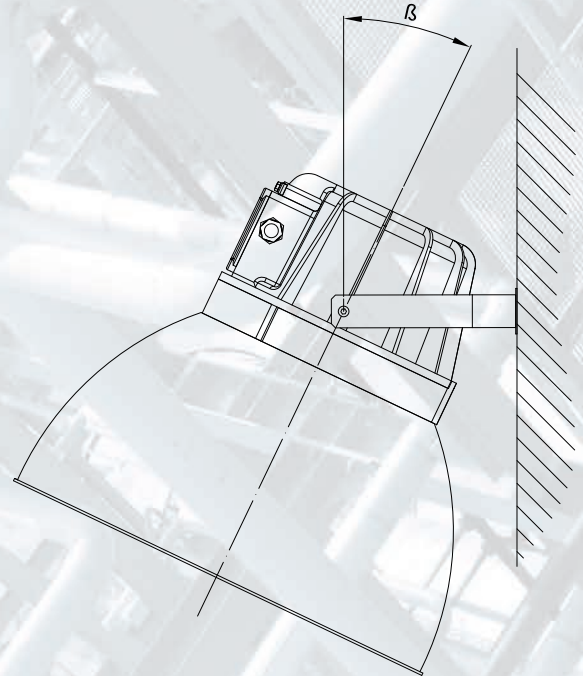
Installation and mounting methods

Example of pole mounting

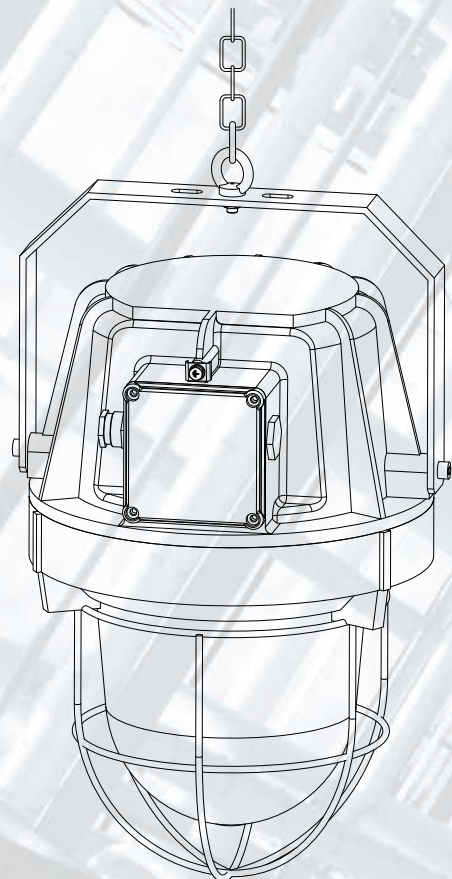


Pole $\varnothing 1 \frac{1}{2}$ "

Example of wall mounting



Example of ceiling mounting





WARNING
DO NOT OPEN when energized.
After re-energizing delay
minutes before opening

2018
via Aquileia 10 s.n. 18/100118
34070 Volpessa (GO) ITALY
CORTEM GROUP RLFE-80
IECEX ITS 12.0048X
ITS 12 ATEX 17545X
CE 0722 Ex II 2GD
Ex de IIC T4 Gb
Ex de IIC T125°C Gb IP66
T2: -20 to +60°C
V230 Hz 50
P.F. > 0.9 | W 150NA
U-486

TESTED
f5101bc943