



BB_FG12V7A Battery box 12V 7.2Ah

Protection mode :

Protection type : II 2G Ex eb IIC T6 Gb IP23 / IP66

II 2G Ex eb mb IIC T6 Gb IP66

II 2D Ex tb IIIC T85°C Db IP66

I M2 Ex eb mb I 150°C Mb IP66

Class of temperature : T6

Ambient temperature : -20 / +50°C

Zones : 1 – 2 – 21 – 22 – M2



Description :

Battery box including a FIAMM battery FG20271 of 12V 7.2Ah. This battery is designed to respond to more or less long discharge regimes.

Design of the AISI 316L stainless steel box with screwed lid on the underside.

Supplied with cable gland and cable.

Technical specifications:

Nominal voltage : 12 Volt

Nominal capacity : 7.2 Ah C20 sous 1.75 Vpc à 25 °C

Floating charging voltage : 13.50 - 13.80 V à 25 °C

Boost charge voltage : 14.40 - 15.00 V à 25 °C

Float voltage compensation : -18mV/°C

Maximum charging current : 1.8 A

Weight : 2.43 kg

Batterie dimension L x W x (TH) : 151 x 65 x 99

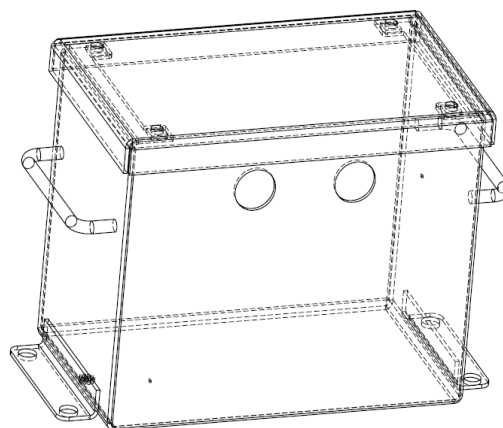
Storage : Batteries lose part of their capacity during storage, due to self-discharge.

Fiamm recommends a maximum storage of 6 months under 25 ° C beyond this period it will be necessary to recharge the battery.

The longer the storage, the longer the refill will be.

Fiamm recommends the following method: 2.4V / battery for a maximum duration of 24 hours at 20 ° C

Drawing :



Dimensions :

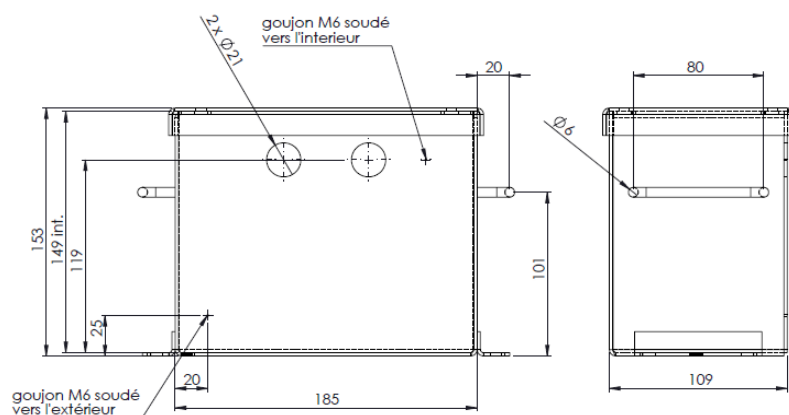
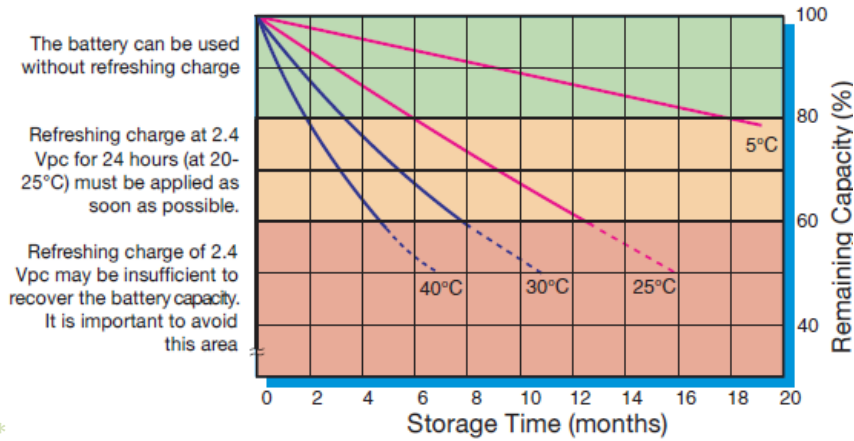


Diagram for illustrative purposes these dimensions may change

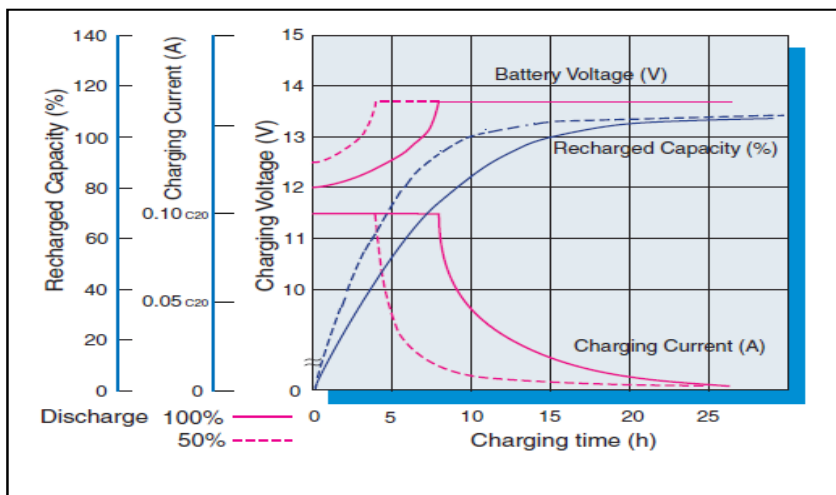


BB_FG12V7A Battery box 12V 7.2Ah

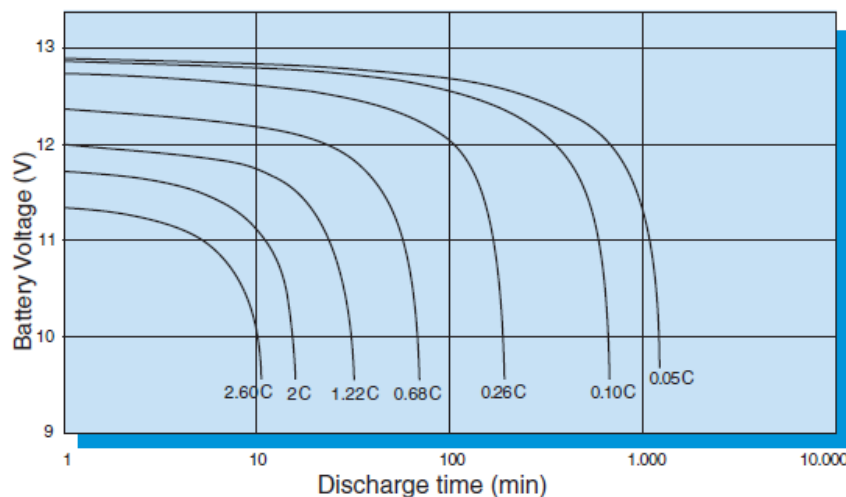
Capacity loss during storage at various temperatures :



Battery Voltage and Charge Time for Standby Use (at 25°C) :



Discharge curves at different current / final voltage (at 25°C):





BB_FG12V7A Battery box 12V 7.2Ah

Constant Current discharge table (Amperes) :

end voltage	5 min	10 min	15 min	20 min	30 min	45 min	1 hour	2 hour	3 hour	5 hour	10 hour	20 hour
09.60	28.0	18.6	14.1	11.3	8.22	5.98	4.78	2.69	1.90	1.22	0.68	0.37
09.90	27.1	18.3	13.8	11.1	8.11	5.91	4.73	2.66	1.88	1.21	0.67	0.37
10.02	26.7	18.0	13.5	11.0	8.05	5.88	4.70	2.64	1.87	1.20	0.67	0.37
10.20	26.0	17.7	13.4	10.9	7.99	5.85	4.67	2.62	1.85	1.19	0.67	0.37
10.50	24.9	17.2	13.0	10.7	7.88	5.78	4.61	2.57	1.82	1.18	0.66	0.36
10.80	23.5	16.5	12.6	10.4	7.71	5.67	4.55	2.53	1.71	1.12	0.63	0.35

Constant Power discharge table (Watts per bloc) :

end voltage	5 min	10 min	15 min	20 min	30 min	45 min	1 hour	2 hour	3 hour	5 hour	10 hour	20 hour
09.60	280	191	148	120	89.8	66.5	53.8	30.7	21.8	14.1	7.85	4.34
09.90	272	189	146	119	88.8	65.9	53.3	30.5	21.7	14.1	7.84	4.34
10.02	268	186	143	118	88.3	65.6	53.1	30.2	21.6	14.0	7.83	4.33
10.20	261	183	141	117	87.8	65.4	52.8	30.0	21.4	13.9	7.80	4.33
10.50	251	179	138	115	86.9	64.9	52.3	29.6	21.2	13.8	7.73	4.29
10.80	239	173	135	113	85.7	64.0	5.18	29.3	2.00	13.1	7.50	4.21