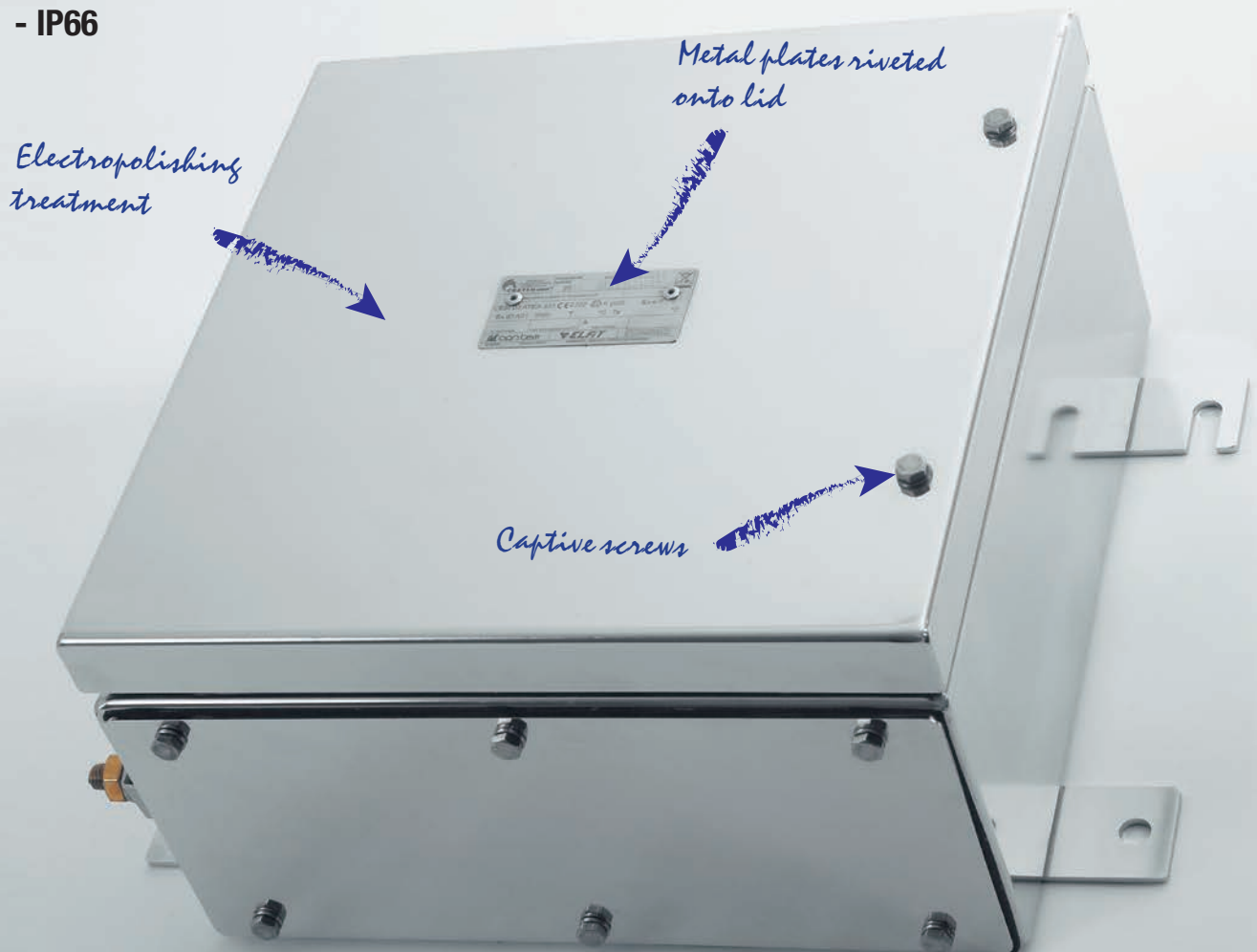


# CTB

- Zone 1, 2, 21, 22
- Electropolished 316 L stainless steel junction boxes
- 25 different sizes
- Gasket resistant to acids and high temperatures
- IK10 mechanical strength
- IP66



Detail of TIG welding of walls



Earth stud with cable anti-rotation bracket



Hinges detail

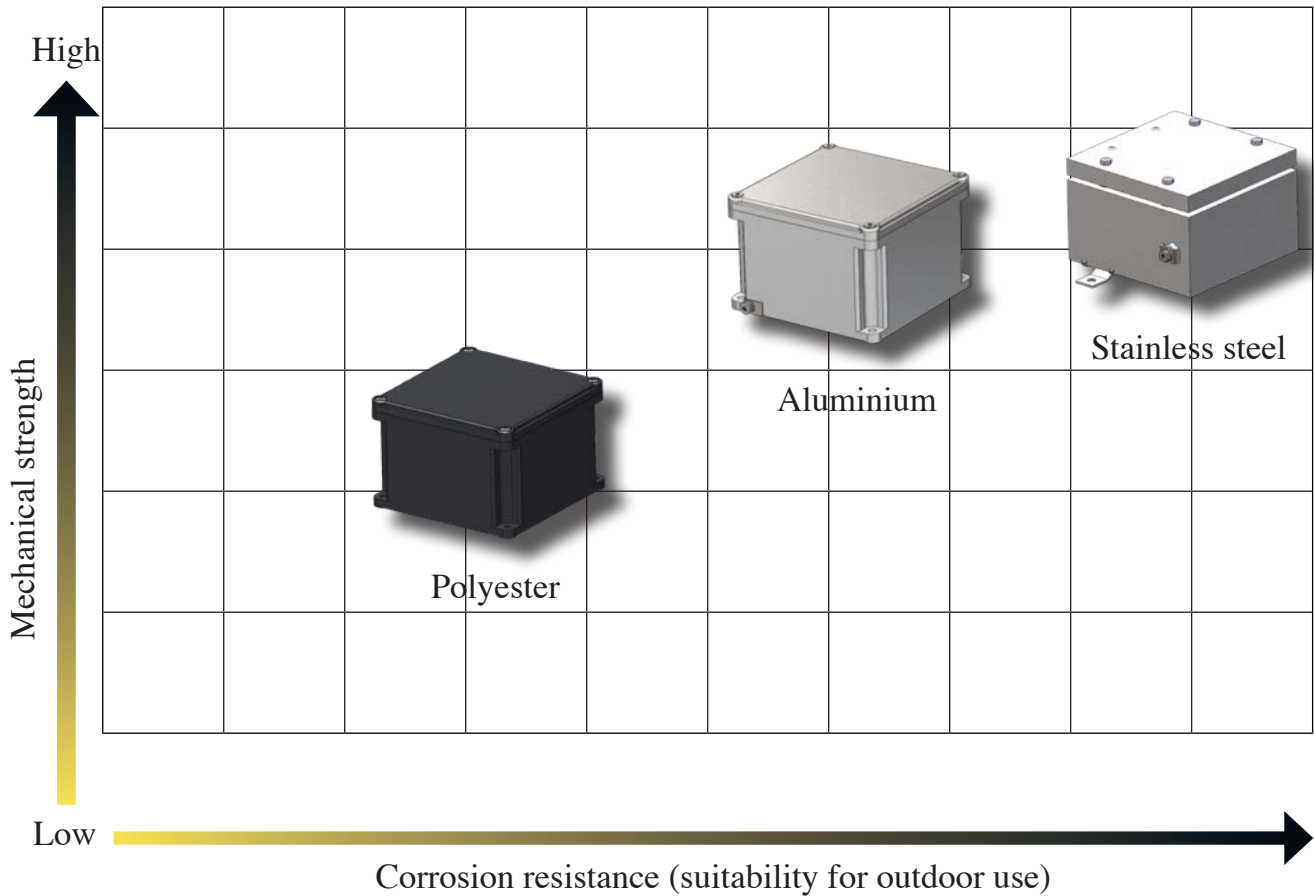
# CTB series junction boxes: criteria for choosing the right product

When it comes to deciding on an increased safety enclosure, there is a whole series of essential data to be taken into account if you are to make the right choice: the mechanical strength of the materials, corrosion resistance, the IP protection rating and IK impact protection rating in the case of enclosures for watertight/ industrial use.

## Mechanical strength

Properties	Unit	Stainless steel	Aluminium	Polyester
Density	g/cm <sup>3</sup>	8.0	2.65	1.7
Tensile strength	MPa	500-700	80-110	130
Elongation	%	60-40	4-10	2
Modulus of elasticity	GPa	193	79	11
Yield strength	MPa	≥ 200	80-165	-
Coeff. of thermal expansion (20-100°C)	10 <sup>-6</sup> K <sup>-1</sup>	16	21	-
Resistivity	Ωm	7.5x10 <sup>-7</sup>	4.8x10 <sup>-8</sup>	-
Electrical conductivity	Ω <sup>-1</sup> m <sup>-1</sup>	1.33x10 <sup>6</sup>	2.08x10 <sup>7</sup>	-

The graph below gives an overview of what use the various materials are suitable for based on the mechanical stress and harshness of the environmental conditions likely to be encountered.




























# Protection ratings

## IP PROTECTION RATINGS (IEC 529, EN 60529-4, CEI 70-1 ed. 11/92)

The table gives protection ratings in accordance with standard CEI 70-1 ed. 11/92. Ratings are identified by the acronym IP followed by 2 digits, to which 2 letters may be added, indicating the degree to which persons are protected against access or other properties. There is some variation in the application of ratings 7 and 8 relating to the ingress of liquids, with these ratings not always meaning that the item is suitable for lower levels (whereas IP rating x4 also covers the lower levels).

## IMPACT PROTECTION RATINGS

This classification shows the acceptable level of strength, when evaluating a product's safety, and is mainly employed in relation to testing on electromechanical products.

1ST DIGIT PROTECTION AGAINST SOLID OBJECTS	2ND DIGIT PROTECTION AGAINST MOISTURE	PROTECTION AGAINST EXTERNAL MECHANICAL IMPACT *
<b>0</b> Not protected 	<b>0</b> Not protected 	<b>IK00</b> Not protected 
<b>1</b> Protected against solid objects greater than 50mm in Ø 	<b>1</b> Protected against vertically falling drops of water 	<b>IK01</b> 0.25 kg, 5.6 cm 
<b>2</b> Protected against solid objects greater than 12mm in Ø 	<b>2</b> Protected against rain when tilted up to 15° 	<b>IK03</b> 0.25 kg, 14 cm 
<b>3</b> Protected against solid objects greater than 2.5mm in Ø 	<b>3</b> Protected against rain when tilted up to 60° 	<b>IK05</b> 0.25 kg, 28 cm 
<b>4</b> Protected against solid objects greater than 1mm in Ø 	<b>4</b> Protected against splashing water 	<b>IK06</b> 0.25 kg, 40 cm 
<b>5</b> Protected against dust 	<b>5</b> Protected against jets of water from all directions 	<b>IK07</b> 0.5 kg, 40 cm 
<b>6</b> Totally protected against the ingress of dust 	<b>6</b> Protected against heavy seas 	<b>IK08</b> 1.7 kg, 30 cm 
<b>ADDITIONAL LETTER**</b>	<b>7</b> Protected against the effects of immersion 	<b>IK09</b> 5 kg, 20 cm 
<b>A</b> Protected against access with the back of the hand	<b>8</b> Protected against the effects of continuous immersion 	<b>IK10</b> 5 kg, 40 cm 
<b>B</b> Protected against access with a finger		
<b>C</b> Protected against access with a tool		
<b>D</b> Protected against access with a wire		

### OPTIONAL LETTER

- H** High-voltage device
- M** Tested against the harmful effects of water ingress with the equipment running
- S** Tested against the harmful effects of water ingress with the equipment not running
- W** Suitable for use in specified atmospheric conditions

\* As per IEC EN 50102: 1996-05; IEC EN 60078-2-7-5: 1998-09.

\*\* Optional letter describing protection against access by persons. Only used if protection against access to hazardous parts is greater than that indicated by the first digit, or if only protection against access to hazardous parts is given and an X is used in place of the first digit.

## CTB... series (Ex e) and (Ex i) stainless steel junction boxes

CTB, CSTB junction box series is made from AISI 316L stainless steel sheet to ensure correct service in the aggressive environments it is installed in. With their high standard of quality and use of select raw materials processed with cutting-edge technologies, these boxes successfully withstand harsh external factors, such as water, dust, hard knocks, vibrations, corrosion and extreme fluctuations in temperature, ensuring a very long period of consistently reliable service. CTB, CSTB series enclosures are usually installed in industrial plants where there is a risk of explosion and fire, classified as Zone 1, 2, 21, 22; they are mainly used as junction boxes or for routing cables for analogue or digital signals and for control and monitoring associated with equipment such as motors, pumps...etc.. The enclosures' main purpose is to protect the components inside from external factors, such as moisture or dust, which means they must have a suitable IP rating. Cortem tests its enclosures according to standard EN 60529 in its own accredited laboratory to provide assurance that this requirement is met. Cortem works alongside customers as a reliable partner, configuring custom solutions tailored to their individual requirements and offering an extensive range of ideal products and components that are configured to produce cost-effective bespoke solutions.

Cortem Group labels its products with a non-removable adhesive label featuring a hologram and an alphanumerical univocal code, as a safety measure against the illegal sale of fakes so that all the products are guaranteed as original. Non-compliance with the International standards entails serious risks for the environment, especially for those working daily on the plants.



### TYPE AND APPLICATION

Choosing an appropriate container is a key step in the project development process, making it essential to approach the decision systematically, evaluating all variables methodically: where our equipment is being installed, the environmental conditions on site, what degree of protection it must have, what space is available and how it is due to be set up. Once you have processed all this information, you should be able to determine which product best suits the design requirements in question.

### ENVIRONMENTAL CONDITIONS

The first factor to consider is what environmental conditions the equipment is going to be installed in, whether it will be indoors or outside, and what environments it is required to operate in: pharmaceutical, chemical, petrochemical, food, shipbuilding, agricultural industries...

### DIMENSIONS

The size of the space available for inserting the enclosure and its components must be determined early on in the process.

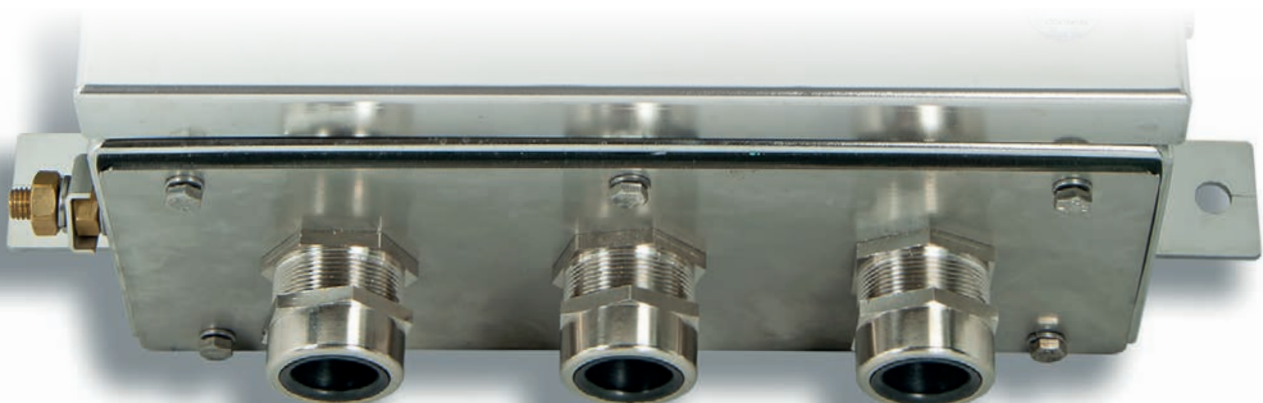
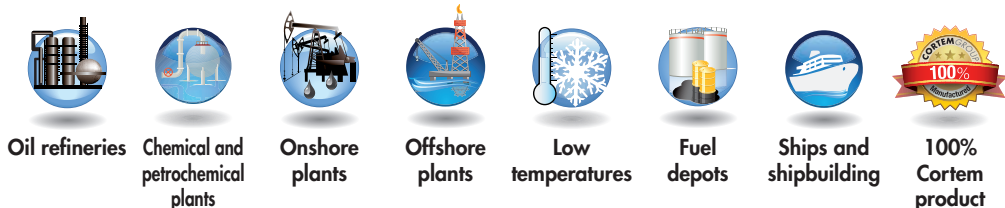
### DESIGN

Taking into account the technical aspect, product design and appearance is also important in ensuring the equipment to be installed in the enclosure is integrated seamlessly. A Cortem team of experts is on hand every day to address your questions and come up with the best solutions.

Cortem enclosures have passed:







- IP protection testing;
- IK strength testing;
- salt mist testing for corrosion resistance;
- heat resistance testing;
- low temperature resistance testing.

### Application sectors:



# CTB... series (Ex e) and (Ex i) stainless steel junction boxes

## CERTIFICATION DATA FOR ENCLOSURES WITH TERMINALS

<b>Classification:</b>	Group II	Category 2GD		
<b>Installation:</b> EN 60079.14	zone 1 - zone 2 (Gas)	zone 21 - zone 22 (Dust)		
<b>Marking:</b>	CE 0722  II 2GD Ex eb IIC T6/T5/T4 Gb - Ex tb IIIC T75°C/T1 10°C Db IP66			
	CE 0722  II 2GD Ex e ia IIC T6/T5/T4 Gb - Ex ia IIIC T75°C/T1 10°C Db IP66			
	CE 0722  II 2GD Ex eb ia IIC T6/T5/T4 Gb - Ex ia tb IIIC T75°C/T1 10°C Db IP66			
<b>Certification:</b>	ATEX CESI 03 ATEX 333			
	IEC Ex CES 13.0001	All IEC Ex, ECASEx, TR CU and INMETRO certification data can be downloaded from <a href="http://www.cortemgroup.com">www.cortemgroup.com</a>		
	ECASEx AVAILABLE			
	TR CU AVAILABLE			
	INMETRO DNV 15.0119			
<b>Standards:</b>	CENELEC EN 60079-0: 2018, EN 60079-7: 2015, EN 60079-11: 2012, EN 60079-31: 2014 and EUROPEAN DIRECTIVE 2014/34/UE IEC 60079-0: 2017, IEC 60079-7: 2015, IEC 60079-11: 2011, IEC 60079-31: 2013			
 <b>Ambient Temp.:</b>	 See "ambient temperature range" table 			
<b>Degree of protection:</b>	IP66			

### AMBIENT TEMPERATURE RANGE

AMBIENT TEMPERATURE	TEMPERATURE CLASS	MAXIMUM SURFACE TEMPERATURE	MAXIMUM TERMINAL OPERATING TEMPERATURE
-40°C +40°C	T6	T75°C	+80°C
-40°C +55°C	T5	T75°C	+95°C

### LOW AND HIGH TEMPERATURE RANGE (accordingly with the temperature allowed by the terminals)

AMBIENT TEMPERATURE	TEMPERATURE CLASS	MAXIMUM SURFACE TEMPERATURE	MAXIMUM TERMINAL OPERATING TEMPERATURE
-60°C +40°C	T6	T75°C	+80°C
-60°C +55°C	T5	T75°C	+95°C
-60°C +65°C**	T5	T75°C	+95°C

\*\* For this temperature range the maximum dissipated power shall be reduced by 25% and the nominal current by 15%

### TEMPERATURE RANGE FOR SIGNALING (max. 1 A for not Ex i circuits, max. 100 mA for 'Ex i' circuits)





AMBIENT TEMPERATURE	TEMPERATURE CLASS	MAXIMUM SURFACE TEMPERATURE	MAXIMUM TERMINAL OPERATING TEMPERATURE
-40°C +60°C	T6	T75°C	+80°C

### TEMPERATURE RANGE FOR SIGNALING (max. 10 A for not Ex i circuits, max. 100 mA for 'Ex i' circuits)



AMBIENT TEMPERATURE	TEMPERATURE CLASS	MAXIMUM SURFACE TEMPERATURE	MAXIMUM TERMINAL OPERATING TEMPERATURE
-60°C +85°C	T4	T110°C	+120°C

# CTB... series (Ex e) and (Ex i) stainless steel junction boxes

## CERTIFICATION DATA OF ENCLOSURES FOR CONTROL, MONITORING AND SIGNALLING UNITS

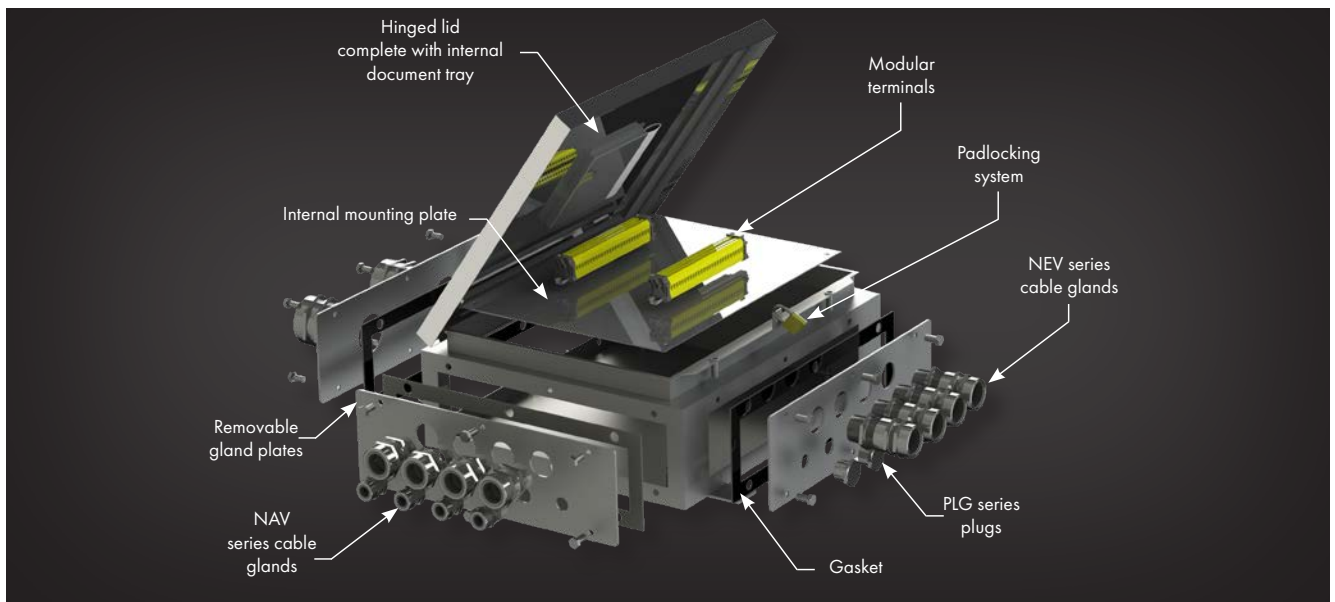
<b>Classification:</b>	Group II	Category 2GD		
<b>Installation:</b> EN 60079.14	zone 1 - zone 2 (Gas)	zone 21 - zone 22 (Dust)		
<b>Marking:</b>	CE 0722 (Ex) II2GD - Ex db eb IIC T6/T5 Gb - Ex tb IIIC T85°C/T100°C Db - IP66 CE 0722 (Ex) II2GD - Ex eb IIC T6/T5 Gb - Ex tb IIIC T85°C/T100°C Db - IP66 (When on the box is installed only ammeter or voltmeter type B-0140)			
<b>Certification:</b>	ATEX CESI 03 ATEX 115 X			
	IEC Ex CES 11.0032 X	All IEC Ex, ECASEx, TR CU and INMETRO certification data can be downloaded from <a href="http://www.cortemgroup.com">www.cortemgroup.com</a>		
	ECASEx AVAILABLE			
	TR CU AVAILABLE			
	INMETRO DNV 15.0125			
<b>Standards:</b>	CENELEC EN 60079-0: 2018, EN 60079-1: 2014, EN 60079-7: 2015, EN 60079-11: 2012, EN 60079-18: 2015 EN 60079-31: 2014, EN 60529: 1991 and EUROPEAN DIRECTIVE 2014/34/UE IEC 60079-0: 2017, IEC 60079-1: 2014, IEC 60079-7: 2015, IEC 60079-11: 2011, IEC 60079-18: 2014, IEC 60079-31:2013, IEC 60529: 2001			
<b>Ambient Temp.:</b>	 -40°C +40°C 	With temperature class T6 and maximum surface temperature T85°C.		
	 -40°C +55°C 	With temperature class T5 and maximum surface temperature T100°C.		
<b>Degree of protection:</b>	IP66			

## CERTIFICATION DATA OF ENCLOSURES WITH EQUIPMENT (FIELD BUS, PROXIMATOR, HEATER...)

<b>Classification:</b>	Group II	Category 2GD		
<b>Installation:</b> EN 60079.14	zone 1 - zone 2 (Gas)	zone 21 - zone 22 (Dust)		
<b>Marking:</b>	CE 0722 (Ex) II2GD - Ex eb IIC T6/T5 Gb - Ex tb IIIC T85°C/T100°C Db - IP66 CE 0722 (Ex) II2(1)GD - Ex eb ib mb [ia Ga] IIC T4 Gb - Ex tb [ia Da] IIIC T85°C Db IP66			
<b>Certification:</b>	ATEX CML 16 ATEX 3163X			
	IEC Ex CML 16.0074X	All IEC Ex certification data can be downloaded from <a href="http://www.cortemgroup.com">www.cortemgroup.com</a>		
<b>Standards:</b>	CENELEC EN 60079-0: 2018, EN 60079-7: 2015, EN 60079-28: 2015, EN 60079-31: 2014 and EUROPEAN DIRECTIVE 2014/34/UE IEC 60079-0: 2017, IEC 60079-7: 2015, IEC 60079-28: 2015, IEC 60079-31:2013			
<b>Ambient Temp.:</b>	 -60°C +85°C 	The temperature classes and the maximum surface temperature must be selected according to the installed components. See the certificate.		
<b>Degree of protection:</b>	IP66			

# CTB... series (Ex e) and (Ex i) stainless steel junction boxes

## EXPLODED VIEW OF ACCESSORIZED CTB ENCLOSURE



## MECHANICAL FEATURES

<b>Body and lid:</b>	AISI 316L stainless steel
<b>Hinges:</b>	Stainless steel AISI 316L (included on CTB series, non included on CSTB series)
<b>Impact protection rating:</b>	IK10
<b>Gasket:</b>	Resistant to acids, hydrocarbons and high temperatures, located between body and lid. Ensures consistent protection to IP66 during use
<b>Certification label:</b>	Stainless steel plate riveted onto lid
<b>Removable gland plates:</b>	Stainless steel thickness 30/10
<b>Bolts and screws:</b>	Stainless steel captive variety
<b>Earth screws:</b>	Brass. On inside and outside of body complete with anti-rotation brackets
<b>Mounting:</b>	Welded AISI 316L stainless steel feet

## ACCESSORIES AVAILABLE ON REQUEST/ SPECIAL REQUESTS

Body and cover thickness of 3 mm (Code CTB262616/3) Please refer to the sales offices for availability

Possible drilling of the enclosure bottom

Internal anti-condensation coating RAL 2004 (pure orange)

External polyester coating in different colour (specify the RAL number)

Breather valve; Drain valve

Internal mounting plate: stainless steel (code B...-443)

Earth screws in stainless steel

Terminal block mounting rails (code OBO2060/S)

Padlocking system; padlock (code VIRO552)

**ATEX-CERTIFIED TERMINALS:** terminals must be chosen from the list of approved manufacturers: Cabur, Phoenix, ABB Entelec, Wago, Weidmuller. When supplied as an Ex i enclosure (for low-voltage instruments), it comes with suitably identified blue terminals.

Hole options: through holes with no threading

**Only use cable glands that meet ATEX, IECEx directive requirements. Use gaskets and lock nuts on entries to ensure IP66 protection.**



Simplified system for lid fixing with key locking system Double Beard type:

(Example of order code CTB484816C)

*Installation of one key locking system up to model CTB262620*

*Installation of two key locking systems up to model CTB624520*

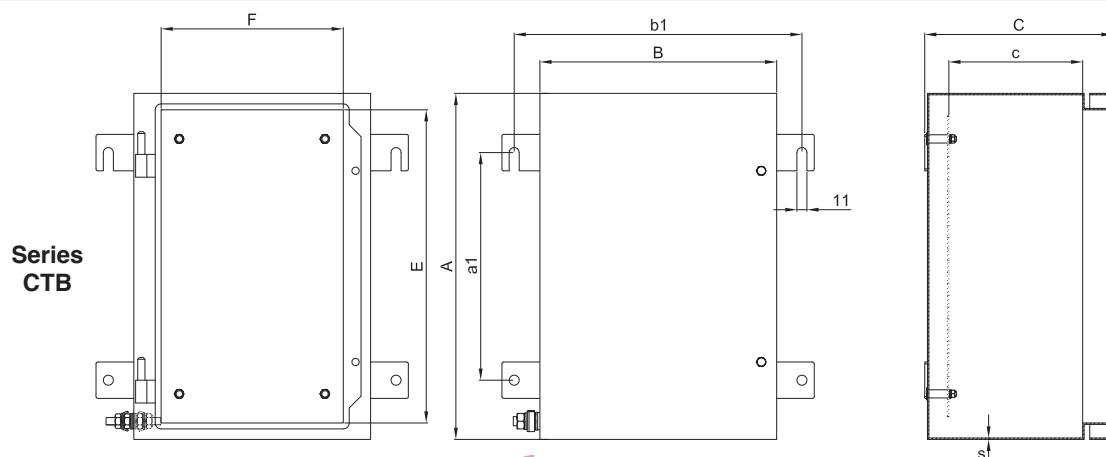
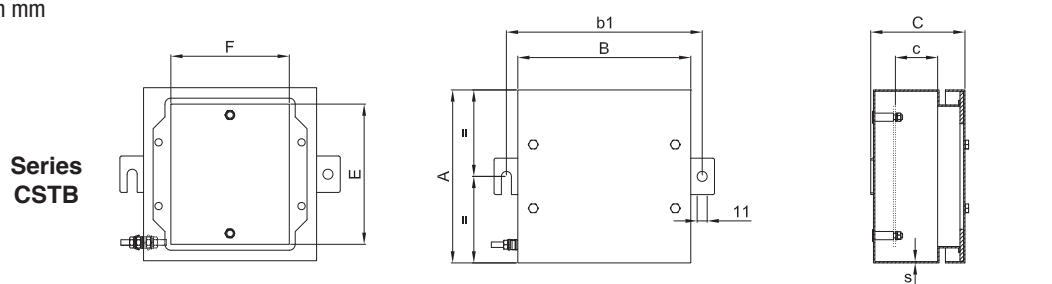
# CTB... series (Ex e) and (Ex i) stainless steel junction boxes

## ENCLOSURE SELECTION CHART

Code	Outside dimensions			Inside dimensions				Mounting		Weight kg
	A	B	C	E	F	c	s	a1	b1	
CSTB121208	120	120	80	84	60	26	1,5	-	145	
CSTB151509	150	150	90	114	90	36	1,5	-	175	
CSTB191910	190	190	100	154	130	46	1,5	-	215	
CTB221513	229	152	130	169	92	75	1,5	152	208	
CTB262616	260	260	160	224	200	100	1,5	170	316	
CTB262620	260	260	205	224	200	145	1,5	170	316	
CTB303016	306	306	160	270	246	100	1,5	203	361	
CTB303020	306	306	205	270	246	145	1,5	203	361	
CTB382616	380	260	160	344	200	100	1,5	250	316	
CTB382620	380	260	205	344	200	145	1,5	250	316	
CTB453816	450	380	160	414	322	100	1,5	305	437	
CTB453820	450	380	205	414	322	145	1,5	305	437	
CTB484816	480	480	160	444	420	100	1,5	327	535	
CTB484820	480	480	205	444	420	145	1,5	327	535	
CTB503516	500	350	160	464	290	100	1,5	350	406	
CTB503520	500	350	205	464	290	145	1,5	350	406	
CTB624516	620	450	160	584	390	100	2	450	506	
CTB624520	620	450	205	584	390	145	2	450	506	
CTB745520	740	550	205	704	490	145	2	540	606	
CTB765020	762	508	205	726	448	145	2	508	564	
CTB808030	800	800	305	725	725	245	2	510	855	
CTB866420	860	640	205	824	580	145	2	696	570	
CTB916120	914	610	205	878	550	145	2	666	559	
CTB916130	914	610	305	878	550	245	2	666	559	
CTB987420	980	740	205	944	680	145	2	700	769	

Dimensions in mm

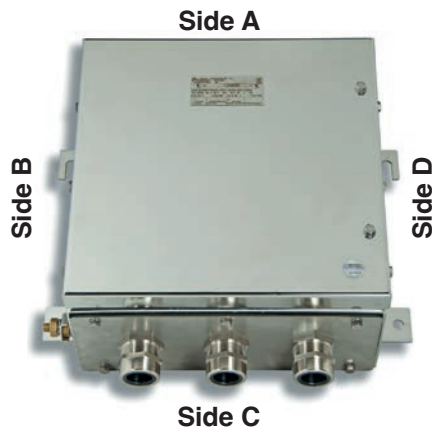
### DIMENSIONAL DRAWING



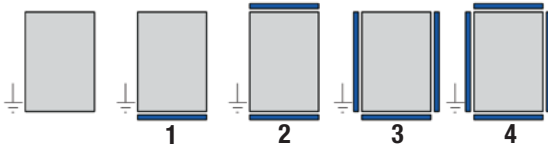


# CTB... series (Ex e) and (Ex i) stainless steel junction boxes

## REMOVABLE GLAND PLATES ON CTB SERIES STAINLESS STEEL BOXES



Removable gland plate position coding



### Ordering code examples

#### 1) CTB503516S3

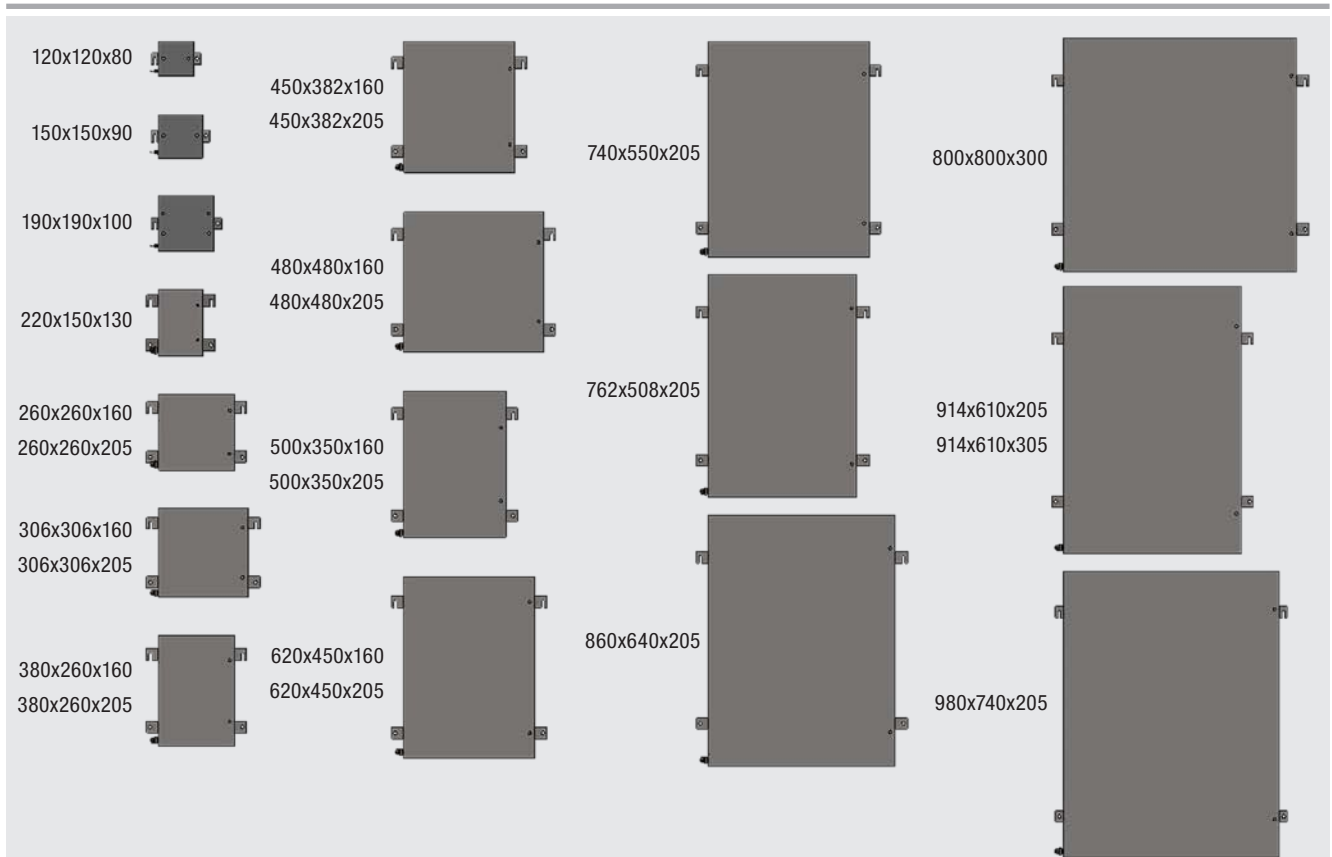
500x350x160 stainless steel box with 3 removable gland plates

#### 2) CTB624520S4

620x450x205 stainless steel box with 4 removable gland plates

Code	Removable gland plate dimensions			
	Side A	Side B	Side C	Side D
CTB221513S..	144x94	144x94	144x94	144x94
CTB262616S..	254x120	154x120	254x120	154x120
CTB262620S..	254x164	154x164	254x164	154x164
CTB303016S..	298x120	254x120	298x120	254x120
CTB303020S..	298x164	254x164	298x164	254x164
CTB382616S..	254x120	298x120	254x120	298x120
CTB382620S..	254x164	298x164	254x164	298x164
CTB453816S..	374x120	374x120	374x120	374x120
CTB453820S..	374x164	374x164	374x164	374x164
CTB484816S..	474x120	444x120	474x120	444x120
CTB484820S..	474x164	444x164	474x164	444x164
CTB503516S..	344x120	444x120	344x120	444x120
CTB503520S..	344x164	444x164	344x164	444x164
CTB624516S..	444x120	544x120	444x120	544x120
CTB624520S..	444x164	544x164	444x164	544x164
CTB745520S..	544x164	634x164	544x164	634x164
CTB765020S..	504x164	594x124	504x164	594x124
CTB808030S..	634x214	634x214	634x214	634x214
CTB866420S..	634x164	740x164	634x164	740x164
CTB916120S..	604x164	740x164	604x164	740x164
CTB916130S..	604x264	740x264	604x264	740x264
CTB987420S..	634x164	444x164 (x2)	634x164	444x164 (x2)

## OVERVIEW OF SIZES



# CTB... series Body drilling data

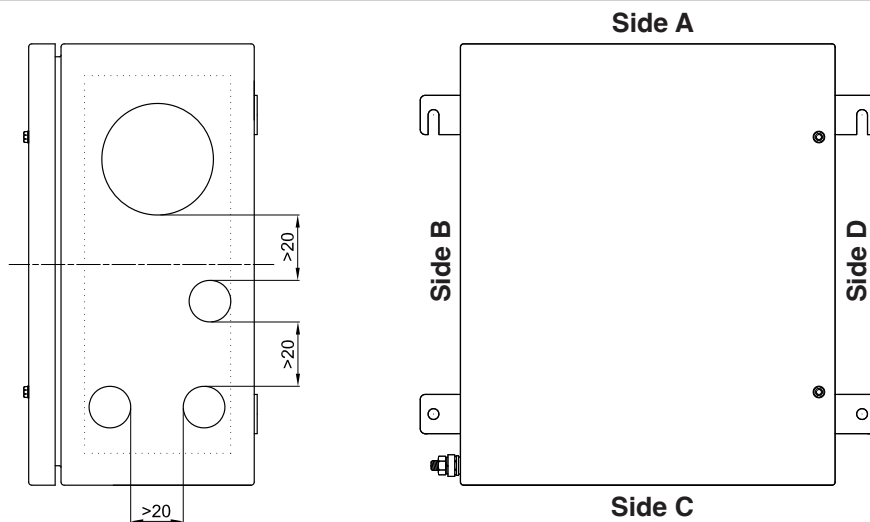
THREAD COMPARISON CHART

D Thread diameter	01	1	2	3	4	5	6	7	8
ISO 261/965	16x1.5	20x1.5	25x1.5	32x1.5	40x1.5	50x1.5	63x1.5	75x1.5	90x1.5
Through hole	Ø17	Ø20.5	Ø25.5	Ø32.5	Ø40.5	Ø50.5	Ø63.5	Ø75.5	Ø90.5



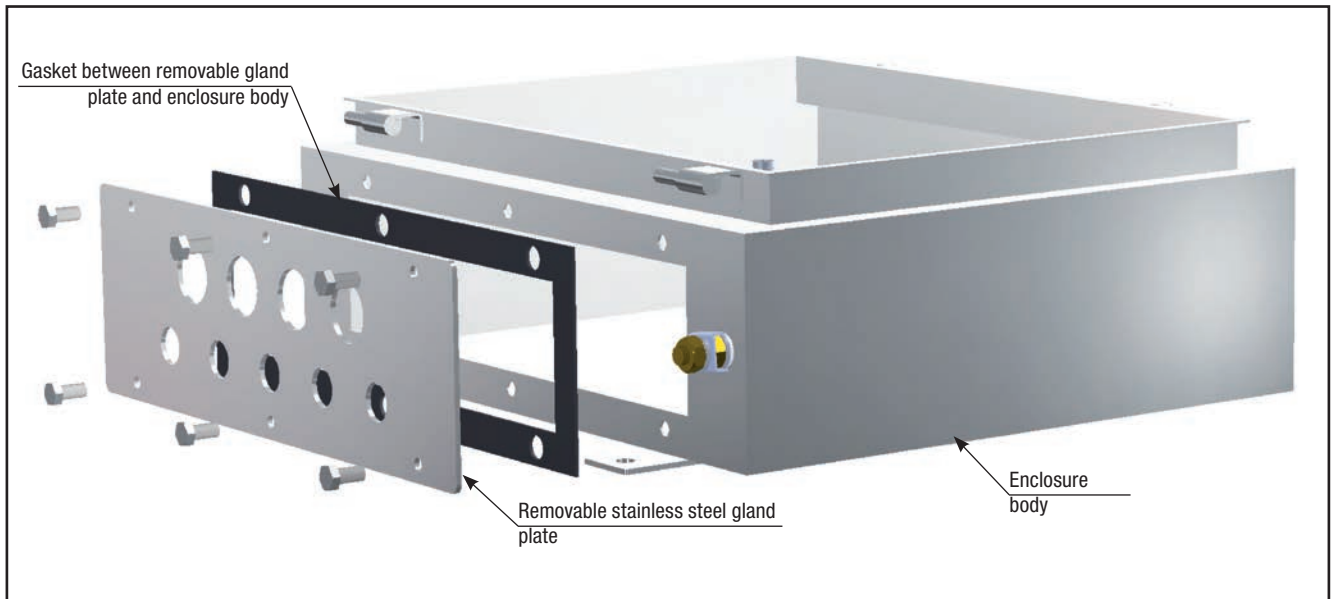
As required by the current standard, holes can be drilled by Cortem or by authorized partners who hold a production notification in accordance with ATEX Directive .

TYPE OF ENCLOSURE	HOLE DRILLING IN BODY																	
	Sides A and C									Sides B and D								
	Drilling area mm	MAXIMUM QUANTITY PER HOLE TYPE								Drilling area mm	MAXIMUM QUANTITY PER HOLE TYPE							
01		1	2	3	4	5	6	7	8		01	1	2	3	4	5	6	7
CSTB121208	70x30	2	2	2	-	-	-	-	-	100x30	3	3	3	-	-	-	-	-
CSTB151509	115x40	3	3	2	2	-	-	-	-	140x40	4	4	3	2	-	-	-	-
CSTB191910	155x50	4	4	3	2	2	-	-	-	180x50	4	4	4	3	3	-	-	-
CTB221513	105x55	5	5	2	2	1	-	-	-	165x55	8	8	3	3	3	-	-	-
CTB262616	195x80	10	10	7	4	3	3	2	-	210x80	10	10	8	4	3	3	2	-
CTB262620	215x125	15	15	14	8	6	3	2	2	195x125	15	15	12	6	6	3	2	2
CTB303016	260x80	12	12	10	9	8	3	2	2	245x80	12	12	10	9	8	3	2	2
CTB303020	260x125	18	18	17	10	8	6	3	2	245x125	18	18	15	10	8	6	3	2
CTB382616	215x80	10	10	10	7	3	3	2	2	315x80	16	16	14	11	5	4	3	3
CTB382620	215x125	15	15	12	8	6	6	2	2	315x125	24	24	21	12	10	8	3	3
CTB453816	335x80	16	16	14	6	5	4	3	2	385x80	20	20	16	7	6	5	4	3
CTB453820	335x125	24	24	21	12	10	8	3	3	335x125	30	30	24	14	12	10	4	3
CTB484816	435x80	22	22	18	8	7	6	4	3	405x80	20	20	18	8	6	5	4	3
CTB484820	435x125	32	32	26	16	13	11	4	3	405x125	30	30	26	14	12	10	4	3
CTB503516	305x80	14	14	12	5	4	4	3	2	440x80	22	22	19	8	7	6	4	4
CTB503520	305x125	21	21	18	12	10	7	3	2	440x125	33	33	27	16	14	11	4	4
CTB624516	405x80	20	20	18	7	6	5	4	3	555x80	28	28	24	10	9	7	6	5
CTB624520	405x125	30	30	26	14	12	10	4	3	550x125	39	39	36	20	18	15	6	5
CTB745520	505x125	36	36	32	16	16	13	5	4	670x125	50	50	42	24	21	17	7	6
CTB765020	465x125	33	33	29	18	14	11	5	4	690x125	50	50	44	26	22	18	7	6
CTB866420	595x125	44	44	38	22	18	15	6	5	780x125	57	57	51	28	24	20	8	6
CTB916120	565x125	41	41	35	20	18	14	6	5	830x125	60	60	53	30	26	22	9	7
CTB916130	565X224	65	65	60	40	27	21	12	9	833x228	80	80	75	48	33	27	14	12
CTB987420	700x125	50	50	44	26	22	18	7	6	840x125	63	63	59	34	28	24	9	8
CTB808030	755x225	72	72	62	39	33	27	14	12	730x225	72	72	60	39	33	27	14	12



## CTB... series Removable gland plate drilling data

Example of enclosure body featuring removable gland plate on just one side.



TYPE OF ENCLOSURE	HOLE DRILLING IN REMOVABLE GLAND PLATES																	
	Sides A and C								Sides B and D									
	Drilling area mm	MAXIMUM QUANTITY PER HOLE TYPE							Drilling area mm	MAXIMUM QUANTITY PER HOLE TYPE								
		01	1	2	3	4	5	6		7	01	1	2	3	4	5	6	7
CTB221513	98x54	3	3	2	1	1	-	-	-	104x54	3	3	2	1	1	-	-	-
CTB262616	214x80	10	10	8	4	3	2	-	-	114x80	6	6	3	2	1	1	-	-
CTB262620	214x124	15	15	12	8	6	3	-	-	114x124	9	9	6	4	2	1	-	-
CTB303016	258x80	12	12	10	4	4	3	2	-	214x80	10	10	8	4	3	3	2	-
CTB303020	258x124	18	18	13	8	4	3	-	-	214x124	15	15	10	8	3	2	-	-
CTB382616	214x80	10	10	8	4	3	3	-	-	258x80	12	12	9	4	3	3	-	-
CTB382620	214x124	15	15	12	8	6	4	-	-	258x124	18	18	15	8	5	3	-	-
CTB453816	334x80	16	16	14	6	5	4	3	-	334x80	16	16	14	6	5	4	3	-
CTB453820	334x124	24	24	20	12	8	4	3	-	334x124	24	24	20	12	8	4	3	-
CTB484816	434x80	22	22	18	7	5	5	4	-	404x80	20	18	14	6	5	4	3	-
CTB484820	434x124	32	32	24	14	12	5	4	-	404x124	29	27	21	12	8	4	3	-
CTB503516	304x80	14	14	12	5	4	4	3	-	404x80	19	16	12	5	4	4	3	-
CTB503520	304x124	21	21	17	10	8	4	3	2	404x124	29	24	18	10	8	4	3	2
CTB624516	404x80	19	19	16	7	6	5	4	-	504x80	24	22	16	7	6	5	4	-
CTB624520	404x124	29	29	23	14	10	5	4	3	504x124	36	33	24	14	12	5	4	3
CTB745520	504x124	36	36	30	16	13	7	5	4	594x124	42	42	30	18	14	7	5	4
CTB765020	464x124	33	33	16	14	10	5	4	3	594x124	42	42	22	22	16	8	5	5
CTB866420	594x124	44	44	36	20	16	8	6	5	700x124	51	48	36	20	16	8	6	4
CTB916120	564x124	41	41	22	16	8	8	4	4	700x124	51	48	22	22	8	8	5	5
CTB916130	564x224	65	65	60	40	27	21	12	9	700x224	80	80	75	48	33	27	14	12
CTB987420	594x124	44	44	36	20	16	8	6	4	404x124 (x2)	58	58	48	28	20	10	8	6



These enclosures are customized based on size, on the number of terminals or cables they are due to accommodate, or taking into account the number of cable entries and cabling requirements inside a system. Hence we can produce tailor-made solutions as long as you provide us with the appropriate parameters required at the quote request stage, such as the number of cable glands, unions or sealing fittings to be installed, so that we can determine the most suitable size of enclosure. All terminals can be fitted with your requested accessories and mounted on special rails that are fastened to the enclosure's internal mounting plates. Terminal strips can be arranged in various ways, as specified by the customer and always within the limits allowed by the certificate. The options are vertical, horizontal, in a number of rows, or on different levels using suitable spacers.

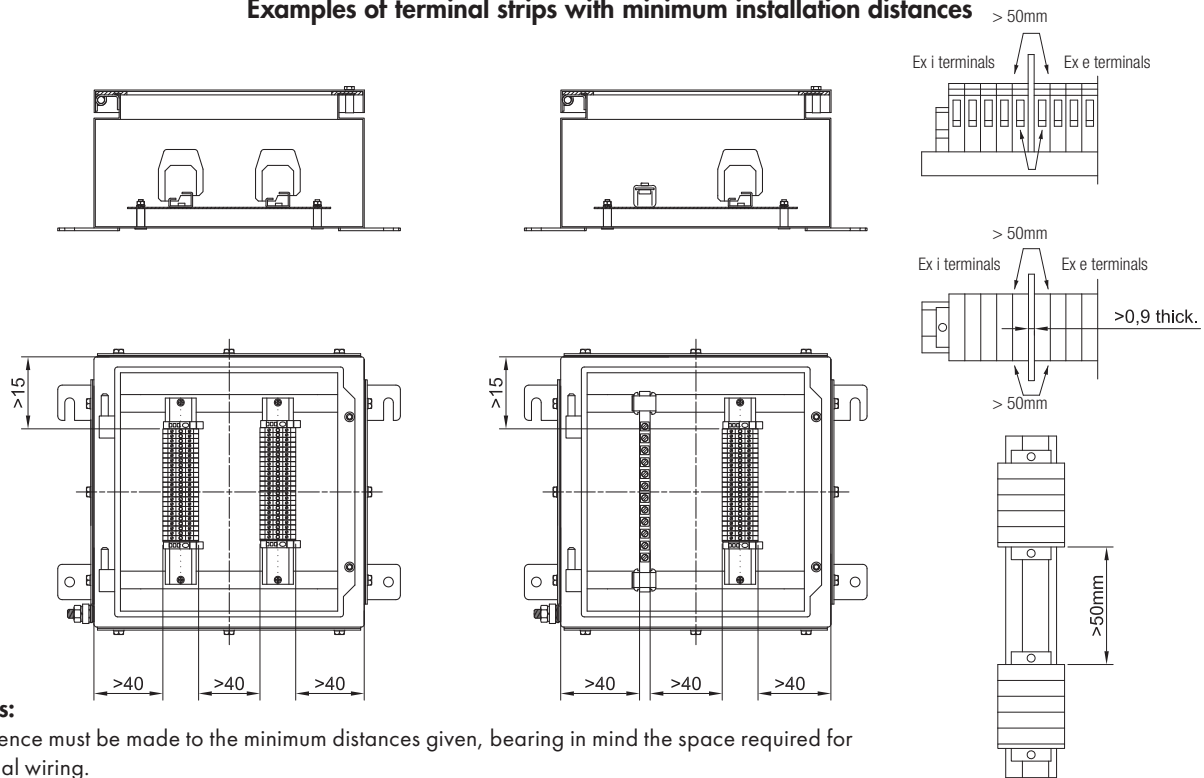
## ELECTRICAL FEATURES

	Standard applications	Signal circuits applications	
		T6/T75°C max. Tamb +60°C	T4/T100°C max. Tamb +85°C
<b>Rated voltage:</b>	1000 Vac/dc	-	-
<b>Rated current:</b>	312 A	1 A for exec. <b>Ex eb</b> 100 mA for exec. <b>Ex ia</b>	10 A for exec. <b>Ex eb</b> 100 mA for exec. <b>Ex ia</b>
<b>Rated frequency:</b>	50/60 Hz	-	-
<b>Terminal section:</b>	1.5 ÷ 300 mm <sup>2</sup>	-	-

Marking	Terminal type	Description
<b>Ex II 2GD Ex eb IIC T... Gb - Ex tb IIIC T... Db IP66</b>	Ex e terminals only	Enclosures containing increased safety terminals to standard EN 60079-7
<b>Ex II 2GD Ex eb ia IIC T... Gb - Ex tb ia IIIC T... Db IP66</b>	Ex e and Ex i terminals	Enclosures containing increased safety terminals and intrinsic safety terminals to standards EN 60079-7 and EN 60079-11
<b>Ex II 2GD Ex ia IIC T... Gb - Ex ia IIIC T... Db IP66</b>	Ex i terminals only	Enclosures containing intrinsic safety terminals to standard EN 60079-11; enclosures are still category 2

# CTB... series Features of junction boxes with terminals

## Examples of terminal strips with minimum installation distances



### Notes:

Reference must be made to the minimum distances given, bearing in mind the space required for internal wiring.

Only ATEX-certified terminals are allowed inside the enclosures.

Ex i rated terminals must be suitably labelled or coloured differently so they are clearly identifiable.

Ex i cable entries must be suitably identified with either labelling or blue markings on cable glands or the enclosure's sides.

TYPE OF ENCLOSURE	MAXIMUM NUMBER OF TERMINALS HOUSED															
	TERMINAL CROSS-SECTIONAL AREA															
	1.5	2.5	4	6	10	16	25	35	50	70	95	120	150	185	240	300
CTB121208	8	5	-	-	-	-	-	-	-	-	-	-	-	-	-	-
CTB151509	16	11	-	-	-	-	-	-	-	-	-	-	-	-	-	-
CTB191910	28	19	16	12	-	-	-	-	-	-	-	-	-	-	-	-
CTB221513	27	19	15	11	-	-	-	-	-	-	-	-	-	-	-	-
CTB262616	2x36	2x25	2x21	2x16	2x12	2x10	7	-	-	-	-	-	-	-	-	-
CTB262620	2x36	2x25	2x21	2x16	2x12	2x10	7	-	-	-	-	-	-	-	-	-
CTB303016	2x54	2x37	2x31	2x23	2x18	2x15	11	-	-	-	-	-	-	-	-	-
CTB303020	2x54	2x37	2x31	2x23	2x18	2x15	11	11	10	9	-	-	-	-	-	-
CTB382616	2x71	2x49	2x41	2x31	2x24	2x20	15	15	13	11	-	-	-	-	-	-
CTB382620	2x71	2x49	2x41	2x31	2x24	2x20	15	15	13	11	-	-	-	-	-	-
CTB453816	2x94	2x65	2x54	2x41	2x32	2x27	2x20	2x20	2x17	2x15	-	-	-	-	-	-
CTB453820	2x94	2x65	2x54	2x41	2x32	2x27	2x20	2x20	2x17	2x15	11	10	10	8	8	6
CTB484816	3x99	3x69	3x58	3x43	2x34	2x28	2x21	2x21	2x18	2x16	-	-	-	-	-	-
CTB484820	3x99	3x69	3x58	3x43	2x34	2x28	2x21	2x21	2x18	2x16	12	10	10	9	9	6
CTB503516	2x105	2x73	2x61	2x46	2x36	2x30	2x22	2x22	2x19	2x17	-	-	-	-	-	-
CTB503520	2x105	2x73	2x61	2x46	2x36	2x30	2x22	2x22	2x19	2x17	13	11	11	10	10	6
CTB624516	3x139	3x97	3x81	3x61	2x48	2x40	2x30	2x30	2x26	2x23	-	-	-	-	-	-
CTB624520	3x139	3x97	3x81	3x61	2x48	2x40	2x30	2x30	2x26	2x23	17	15	15	13	13	9
CTB745520	4x174	4x121	4x101	4x76	3x60	3x50	3x37	3x37	3x33	3x29	22	18	18	16	16	11
CTB765020	4x182	4x127	4x106	4x79	3x63	3x53	3x39	3x39	3x34	3x30	23	19	19	17	17	12
CTB866420	5x208	5x145	5x121	5x91	5x72	5x60	4x45	4x45	3x40	3x35	26	22	22	20	20	13
CTB916120	5x225	5x157	5x131	5x98	5x78	5x65	4x49	4x49	3x43	3x38	29	24	24	21	21	14
CTB916130	5x225	5x157	5x131	5x98	5x78	5x65	4x49	4x49	3x43	3x38	29	24	24	21	21	14
CTB987420	5x242	5x169	5x141	5x106	5x84	5x70	4x52	4x52	3x46	3x41	31	26	26	23	23	16

Eg. 2x22= 2 rows of 22 terminals (total 44 terminals). The maximum number of standard terminals refers to the mounting of CABUR and/or WEIDMULLER terminals. The data in the table are given as a rough guide only based solely on the size of the enclosures and the space taken up by the terminals.

## CTB... series Features of junction boxes with terminals

The permissible maximum power dissipation, in order to retain a T6 temperature class with an ambient temperature up to +40°C or T5 class with an ambient temperature of 55°C, is not to exceed the values given in the tables below.

For an ambient temperature of +60°C or +65°C, maximum power dissipation must be reduced by 25%, and rated current reduced by 15%.

The maximum current values for terminal strips used for low-voltage circuits (signalling units) with a T6 temperature class and maximum ambient temperature of +60°C or T4 and maximum ambient temperature +65°C and +85°C are as follows:

+60°C T6 -> max 1A Ex e, max 100mA Ex ia

+85°C T4 -> max 10A Ex e, max 100mA Ex ia

The values given in the tables on the coming pages refer to the maximum number of conductors allowed for a conductor with a given cross-sectional area and a given maximum current. All incoming wires and active internal links (made by wires) count as wires. Earth connections (i.e. passive connections) do not count.

When DIN/Omega rails are installed on the internal mounting plate (instead of using the relevant mounting plate fastening holes), the number of terminals may be slightly less than the number given in the tables.

Other types of terminals can be used up to the space limit of the box. Whatever the case, all terminals used shall be ATEX and/or IEC Ex certified. Size 35mm<sup>2</sup> terminals can be used for conductors with a cross-sectional area of 25mm<sup>2</sup>.

The maximum number of terminals and maximum number of rows given in the tables is an indicative value: you must take into account the cable entries on the sides of the boxes. The internal overall dimensions of cable glands/lock nuts and the overall dimensions of conductors must be taken into consideration to allow for wiring.

In some cases, it may be necessary to reduce the number of terminals or the number of rows.

Example of how to calculate the maximum number of conductors.

Referring to table CTB262620: 6 conductors with 6mm<sup>2</sup> cross-section with 26A continuous current is the limit of this box. Consequently, box CTB262620 is suitable for containing 3 x 6mm<sup>2</sup> terminals (2 conductors for each terminal) with a max. current of 26A.

There is space for 32 x 6mm<sup>2</sup> terminals in the box. The remaining 29 terminals (32-3) can be added and used for low-current circuits indicated in the "yellow-coloured" area of the table (in this case max. 8-10A).

Combined mounting for electrical circuits with different sized cables is possible provided the values given are used proportionally. For example:

Nominal X-sect. area (mm <sup>2</sup> )	Current (A)	Quantity	Capacity
2,5	8	16 (di 46)	34,8%
4	11	12 (di 36)	33,3%
10	26	4 (di 13)	30,8%
		Total	98,9% <100%

## CTB... series Features of junction boxes with terminals

Table showing maximum power dissipation and current for ambient temperature +40°C and +55°C

Enclosure	P [W]	Maximum current [A] per conductor cross-sectional area in mm <sup>2</sup>															
		1.5	2.5	4	6	10	16	25	35	50	70	95	120	150	185	240	300
CSTB121208	5.3	11	15	21	26	37	49	67	-	-	-	-	-	-	-	-	-
CSTB151509	5.5	11	15	21	26	37	49	67	-	-	-	-	-	-	-	-	-
CSTB191910	6.2	11	15	21	26	37	49	67	-	-	-	-	-	-	-	-	-
CTB221513	6.2	11	15	21	26	37	49	67	-	-	-	-	-	-	-	-	-
CTB262616	10.6	11	15	21	26	37	49	67	-	-	-	-	-	-	-	-	-
CTB262620	11.2	11	15	21	26	37	49	67	-	-	-	-	-	-	-	-	-
CTB303016	11.2	11	15	21	26	37	49	67	-	-	-	-	-	-	-	-	-
CTB303020	12.2	11	15	21	26	37	49	49	67	80	122	122	147	147	147	147	147
CTB382616	12.2	11	15	21	26	37	49	49	67	80	122	122	147	147	147	147	147
CTB382620	12.2	11	15	21	26	37	49	49	67	80	122	122	147	147	147	147	147
CTB453816	29.5	11	15	21	26	37	49	67	80	98	122	147	175	196	227	270	312
CTB453820	29.5	11	15	21	26	37	49	67	80	98	122	147	175	196	227	270	312
CTB484816	29.5	11	15	21	26	37	49	67	80	98	122	147	175	196	227	270	312
CTB484820	29.5	11	15	21	26	37	49	67	80	98	122	147	175	196	227	270	312
CTB503516	29.5	11	15	21	26	37	49	67	80	98	122	147	175	196	227	270	312
CTB503520	29.5	11	15	21	26	37	49	67	80	98	122	147	175	196	227	270	312
CTB624516	36	11	15	21	26	37	49	67	80	98	122	147	175	196	227	270	312
CTB624520	36	11	15	21	26	37	49	67	80	98	122	147	175	196	227	270	312
CTB745520	36	11	15	21	26	37	49	67	80	98	122	147	175	196	227	270	312
CTB765020	36	11	15	21	26	37	49	67	80	98	122	147	175	196	227	270	312
CTB866420	36	11	15	21	26	37	49	67	80	98	122	147	175	196	227	270	312
CTB916120	36	11	15	21	26	37	49	67	80	98	122	147	175	196	227	270	312
CTB916130	36	11	15	21	26	37	49	67	80	98	122	147	175	196	227	270	312
CTB987420	36	11	15	21	26	37	49	67	80	98	122	147	175	196	227	270	312

Table showing maximum power dissipation and current for ambient temperature +60°C and +65°C

Enclosure	P [W]	Maximum current [A] per conductor cross-sectional area in mm <sup>2</sup>															
		1.5	2.5	4	6	10	16	25	35	50	70	95	120	150	185	240	300
CSTB121208	3.9	9	12	17	22	31	41	57	-	-	-	-	-	-	-	-	-
CSTB151509	4.1	9	12	17	22	31	41	57	-	-	-	-	-	-	-	-	-
CSTB191910	4.6	9	12	17	22	31	41	57	-	-	-	-	-	-	-	-	-
CTB221513	4.6	9	12	17	22	31	41	57	-	-	-	-	-	-	-	-	-
CTB262616	7.9	9	12	17	22	31	41	57	-	-	-	-	-	-	-	-	-
CTB262620	8.4	9	12	17	22	31	41	57	-	-	-	-	-	-	-	-	-
CTB303016	8.4	9	12	17	22	31	41	57	-	-	-	-	-	-	-	-	-
CTB303020	9.1	9	12	17	22	31	41	57	68	83	103	103	125	125	125	125	125
CTB382616	9.1	9	12	17	22	31	41	57	68	83	103	103	125	125	125	125	125
CTB382620	9.1	9	12	17	22	31	41	57	68	83	103	103	125	125	125	125	125
CTB453816	22.1	9	12	17	22	31	41	57	68	83	103	125	148	166	193	229	265
CTB453820	22.1	9	12	17	22	31	41	57	68	83	103	125	148	166	193	229	265
CTB484816	22.1	9	12	17	22	31	41	57	68	83	103	125	148	166	193	229	265
CTB484820	22.1	9	12	17	22	31	41	57	68	83	103	125	148	166	193	229	265
CTB503516	22.1	9	12	17	22	31	41	57	68	83	103	125	148	166	193	229	265
CTB503520	22.1	9	12	17	22	31	41	57	68	83	103	125	148	166	193	229	265
CTB624516	27	9	12	17	22	31	41	57	68	83	103	125	148	166	193	229	265
CTB624520	27	9	12	17	22	31	41	57	68	83	103	125	148	166	193	229	265
CTB745520	27	9	12	17	22	31	41	57	68	83	103	125	148	166	193	229	265
CTB765020	27	9	12	17	22	31	41	57	68	83	103	125	148	166	193	229	265
CTB866420	27	9	12	17	22	31	41	57	68	83	103	125	148	166	193	229	265
CTB916120	27	9	12	17	22	31	41	57	68	83	103	125	148	166	193	229	265
CTB916130	27	9	12	17	22	31	41	57	68	83	103	125	148	166	193	229	265
CTB987420	27	9	12	17	22	31	41	57	68	83	103	125	148	166	193	229	265

# CTB... series Features of junction boxes with terminals

## Instructions for determining which enclosure is best suited based on the planned number of conductors and terminals.

- : In this section of the table that has not been filled in, once you have followed the instructions and complied with the values given for the enclosure's internal wiring, you can add as many terminals as you want up to the space limit of the box.
- : Any wiring that falls within this section of the table that has not been filled in is not covered by the certificate.

"C. No." row: the values given refer to the maximum number of CABUR terminals physically allowed inside the relevant enclosure. These values are expressed as the product of the rows multiplied by the number of terminals.

"W. No." row: the same as above, but this time referring to Weidmuller terminals.

The terminal brands are mentioned just to give an idea of the quantity of terminals that can be housed inside the enclosure. The other values given in the cells along the table's diagonal define the maximum number of conductors allowed, based on their cross-sectional area and maximum current.

## Tables showing maximum number of conductors

$$(N^{\circ} \text{ of terminals} = \frac{n^{\circ} \text{ of conductors}}{2})$$

**CSTB121208**

Current (A)	Cross-sectional area in mm <sup>2</sup>						
	1.5	2.5	4	6	10	16	25
1							
8	15	25					
10	9	16	22				
11	8	13	18	24			
15		7	10	13			
21			5	7	9	12	
26				4	6	8	10
37					3	4	5
49						2	3
67							2
C. No.							
W. No.	8	5					

Maximum power dissipation with T6 temperature class must not exceed 5.3W

**CSTB151509**

Current (A)	Cross-sectional area in mm <sup>2</sup>						
	1.5	2.5	4	6	10	16	25
1							
8	14	24					
10	9	15	22				
11	7	12	18	24			
15		6	10	13	18	25	
21			5	7	9	13	16
26				4	6	8	11
37					3	4	5
49						2	3
67							2
C. No.							
W. No.	16	11					

Maximum power dissipation with T6 temperature class must not exceed 5.5W

**CSTB191910**

Current (A)	Cross-sectional area in mm <sup>2</sup>						
	1.5	2.5	4	6	10	16	25
1							
8	16	27	38				
10	10	17	24	33			
11	8	14	20	27	39		
15		7	11	14	21	28	
21			6	7	11	14	19
26				5	7	9	12
37					3	5	6
49						3	3
67							2
C. No.		17	14	12			
W. No.	28	19	16	12			

Maximum power dissipation with T6 temperature class must not exceed 6.2W

**CTB221513**

Current (A)	Cross-sectional area in mm <sup>2</sup>						
	1.5	2.5	4	6	10	16	25
1							
8	16	27	38				
10	10	17	24	33			
11	8	14	20	27	39		
15		7	11	14	21	28	
21			6	7	11	14	19
26				5	7	9	12
37					3	5	6
49						3	3
67							2
C. No.		17	14	11			
W. No.	27	19	15	11			

Maximum power dissipation with T6 temperature class must not exceed 6.2W

**CTB262616**

Current (A)	Cross-sectional area in mm <sup>2</sup>						
	1.5	2.5	4	6	10	16	25
1							
8	20	33	49	68	103		
10	13	21	32	44	66		
11	11	18	26	36	54	77	107
15		9	14	19	29	41	57
21			7	10	15	21	29
26				6	10	15	19
37					5	7	9
49						4	5
67							3
C. No.		2x23	2x19	2x16	2x12	2x10	7
W. No.	2x36	2x25	2x21	2x16	2x12	2x10	7

Maximum power dissipation with T6 temperature class must not exceed 10.6W

**CTB262620**

Current (A)	Cross-sectional area in mm <sup>2</sup>						
	1.5	2.5	4	6	10	16	25
1							
8	20	33	49	68	103		
10	13	21	32	44	66		
11	11	18	26	36	54	77	107
15		9	14	19	29	41	57
21			7	10	15	21	29
26				6	10	14	19
37					5	7	9
49						4	5
67							3
C. No.		2x23	2x19	2x16	2x12	2x10	7
W. No.	2x36	2x25	2x21	2x16	2x12	2x10	7

Maximum power dissipation with T6 temperature class must not exceed 11.2W

**CTB303016**

Current (A)	Cross-sectional area in mm <sup>2</sup>						
	1.5	2.5	4	6	10	16	25
1							
8	20	33	49	68	103		
10	13	21	32	44	66		
11	11	18	26	36	54	77	107
15		9	14	19	29	41	57
21			7	10	15	21	29
26				6	10	14	19
37					5	7	9
49						4	5
67							3
C. No.		2x34	2x28	2x23	2x18	2x15	11
W. No.	2x54	2x37	2x31	2x23	2x18	2x15	11

Maximum power dissipation with T6 temperature class must not exceed 11.2W



# CTB... series Features of junction boxes with terminals

## Tables showing maximum number of conductors

### CTB303020

Current (A)	Cross-sectional area in mm <sup>2</sup>															
	1.5	2.5	4	6	10	16	25	35	50	70	95	120	150	185	240	300
1																
8	21	34	51	71	107	153										
10	13	22	33	45	69	98	136									
11	11	18	27	38	57	81	113	141								
15		9	15	20	31	43	61	76	92							
21			7	10	16	22	31	39	47	59						
26				7	10	14	20	25	31	38	45					
37					5	7	10	12	15	19	22	25	27			
49						4	6	7	9	11	13	14	15	16	17	
67							3	4	5	6	7	8	8	9	9	5
80								3	3	4	5	5	6	6	6	4
98									2	3	3	4	4	4	4	2
122										2	2	2	2	3	3	2
147											2	2	2	2	2	2
C. No.		2x34	2x28	2x23	2x18	2x15	11	11	10	9						
W. No.	2x54	2x37	2x31	2x23	2x18	2x15	11	11	10	9						

Maximum power dissipation with T6 temperature class must not exceed 12.2W

### CTB382616, CTB382620

Current (A)	Cross-sectional area in mm <sup>2</sup>															
	1.5	2.5	4	6	10	16	25	35	50	70	95	120	150	185	240	300
1																
8	21	34	51	71	107	153										
10	13	22	33	45	69	98	136									
11	11	18	27	38	57	81	113	141								
15		9	15	20	31	43	61	76	92							
21			7	10	16	22	31	39	47	59						
26				7	10	14	20	25	31	38	45					
37					5	7	10	12	15	19	22	25	27			
49						4	6	7	9	11	13	14	15	16	17	
67							3	4	5	6	7	8	8	9	9	5
80								3	3	4	5	5	6	6	6	4
98									2	3	3	4	4	4	4	2
122										2	2	2	2	3	3	2
147											2	2	2	2	2	2
C. No.		2x45	2x38	2x31	2x24	2x20	15	15	13	11						
W. No.	2x71	2x49	2x41	2x31	2x24	2x20	15	15	13	11						

Maximum power dissipation with T6 temperature class must not exceed 12.2W

### CTB453816

Current (A)	Cross-sectional area in mm <sup>2</sup>															
	1.5	2.5	4	6	10	16	25	35	50	70	95	120	150	185	240	300
1																
8	39	65	98	139	215	316										
10	25	41	63	89	138	202	291									
11	21	34	52	73	114	167	241	311								
15		18	28	39	61	90	129	167	209							
21			14	20	31	46	66	85	107	141						
26				13	20	30	43	56	70	92	115					
37					10	15	21	27	34	45	57	66	76			
49						8	12	16	20	26	32	38	43	49		
67							6	8	10	14	17	20	23	26	31	
80								6	7	10	12	14	16	19	22	16
98									5	6	8	9	11	12	14	11
122										4	5	6	7	8	9	11
147											4	4	5	5	6	7
175												3	3	4	4	5
196													3	3	4	4
227														2	3	3
270															2	2
312																2
C. No.		2x59	2x50	2x41	2x32	2x27	2x20	2x20	2x18	2x15						
W. No.	2x94	2x65	2x54	2x41	2x32	2x27	2x20	2x20	2x17	2x15						

Maximum power dissipation with T6 temperature class must not exceed 29.5W

### CTB453820

Current (A)	Cross-sectional area in mm <sup>2</sup>															
	1.5	2.5	4	6	10	16	25	35	50	70	95	120	150	185	240	300
1																
8	39	65	98	139	215	316										
10	25	41	63	89	138	202	291									
11	21	34	52	73	114	167	241	311								
15		18	28	39	61	90	129	167	209							
21			14	20	31	46	66	85	107	141						
26				13	20	30	43	56	70	92	115					
37					10	15	21	27	34	45	57	66	76			
49						8	12	16	20	26	32	38	43	49		
67							6	8	10	14	17	20	23	26	31	
80								6	7	10	12	14	16	19	22	16
98									5	6	8	9	11	12	14	11
122										4	5	6	7	8	9	11
147											4	4	5	5	6	7
175												3	3	4	4	5
196													3	3	4	4
227														2	3	3
270															2	2
312																2
C. No.		2x59	2x50	2x41	2x32	2x27	2x20	2x20	2x18	2x15	10	7	7	6	6	6
W. No.	2x94	2x65	2x54	2x41	2x32	2x27	2x20	2x20	2x17	2x15	11	10	10	8	8	8

Maximum power dissipation with T6 temperature class must not exceed 29.5W

# CTB... series Features of junction boxes with terminals

## Tables showing maximum number of conductors

### CTB484816

Current (A)	Cross-sectional area in mm <sup>2</sup>															
	1.5	2.5	4	6	10	16	25	35	50	70	95	120	150	185	240	300
1																
8	39	65	98	139	215	316										
10	25	41	63	89	138	202	291									
11	21	34	52	73	114	167	241	311								
15		18	28	39	61	90	129	167	209							
21			14	20	31	46	66	85	107	141						
26				13	20	30	43	56	70	92	115					
37					10	15	21	27	34	45	57	66	76			
49						8	12	16	20	26	32	38	43	49		
67							6	8	10	14	17	20	23	26	31	
80								6	7	10	12	14	16	19	22	16
98									5	6	8	9	11	12	14	11
122										4	5	6	7	8	9	11
147											4	4	5	5	6	7
175												3	3	4	4	5
196													3	3	4	4
227														2	3	3
270															2	2
312																2
C. No.		3x63	3x53	3x43	2x34	2x28	2x21	2x21	2x19	2x16						
W. No.	3x99	3x69	3x58	3x43	2x34	2x28	2x21	2x21	2x18	2x16						

Maximum power dissipation with T6 temperature class must not exceed 29.5W

### CTB484820

Current (A)	Cross-sectional area in mm <sup>2</sup>															
	1.5	2.5	4	6	10	16	25	35	50	70	95	120	150	185	240	300
1																
8	39	65	98	139	215	316										
10	25	41	63	89	138	202	291									
11	21	34	52	73	114	167	241	311								
15		18	28	39	61	90	129	167	209							
21			14	20	31	46	66	85	107	141						
26				13	20	30	43	56	70	92	115					
37					10	15	21	27	34	45	57	66	76			
49						8	12	16	20	26	32	38	43	49		
67							6	8	10	14	17	20	23	26	31	
80								6	7	10	12	14	16	19	22	16
98									5	6	8	9	11	12	14	11
122										4	5	6	7	8	9	11
147											4	4	5	5	6	7
175												3	3	4	4	5
196													3	3	4	4
227														2	3	3
270															2	2
312																2
C. No.		3x63	3x53	3x43	2x34	2x28	2x21	2x21	2x19	2x16	10	8	8	6	6	6
W. No.	3x99	3x69	3x58	3x43	2x34	2x28	2x21	2x21	2x18	2x16	12	10	10	9	9	6

Maximum power dissipation with T6 temperature class must not exceed 29.5W

### CTB503516

Current (A)	Cross-sectional area in mm <sup>2</sup>															
	1.5	2.5	4	6	10	16	25	35	50	70	95	120	150	185	240	300
1																
8	39	65	98	139	215	316										
10	25	41	63	89	138	202	291									
11	21	34	52	73	114	167	241	311								
15		18	28	39	61	90	129	167	209							
21			14	20	31	46	66	85	107	141						
26				13	20	30	43	56	70	92	115					
37					10	15	21	27	34	45	57	66	76			
49						8	12	16	20	26	32	38	43	49		
67							6	8	10	14	17	20	23	26	31	
80								6	7	10	12	14	16	19	22	16
98									5	6	8	9	11	12	14	11
122										4	5	6	7	8	9	11
147											4	4	5	5	6	7
175												3	3	4	4	5
196													3	3	4	4
227														2	3	3
270															2	2
312																2
C. No.		2x67	2x56	2x46	2x36	2x30	2x22	2x22	2x20	2x17						
W. No.	2x105	2x73	2x61	2x46	2x36	2x30	2x22	2x22	2x19	2x17						

Maximum power dissipation with T6 temperature class must not exceed 29.5W

### CTB503520

Current (A)	Cross-sectional area in mm <sup>2</sup>															
	1.5	2.5	4	6	10	16	25	35	50	70	95	120	150	185	240	300
1																
8	39	65	98	139	215	316										
10	25	41	63	89	138	202	291									
11	21	34	52	73	114	167	241	311								
15		18	28	39	61	90	129	167	209							
21			14	20	31	46	66	85	107	141						
26				13	20	30	43	56	70	92	115					
37					10	15	21	27	34	45	57	66	67			
49						8	12	16	20	26	32	38	43	49		
67							6	8	10	14	17	20	23	26	31	
80								6	7	10	12	14	16	19	22	16
98									5	6	8	9	11	12	14	11
122										4	5	6	7	8	9	11
147											4	4	5	5	6	7
175												3	3	4	4	5
196													3	3	4	4
227														2	3	3
270															2	2
312																2
C. No.		2x67	2x56	2x46	2x36	2x30	2x22	2x22	2x20	2x17	11	8	8	6	6	6
W. No.	2x105	2x73	2x61	2x46	2x36	2x30	2x22	2x22	2x19	2x17	13	11	11	10	10	6

Maximum power dissipation with T6 temperature class must not exceed 29.5W

# CTB... series Features of junction boxes with terminals

## Tables showing maximum number of conductors

### CTB624516

Current (A)	Cross-sectional area in mm <sup>2</sup>															
	1.5	2.5	4	6	10	16	25	35	50	70	95	120	150	185	240	300
1																
8	41	69	105	150	235	348										
10	26	44	67	96	151	223	325									
11	22	36	56	79	125	184	269	350								
15		19	30	43	67	99	145	188	238							
21			15	22	34	51	74	96	121	162						
26				14	22	33	48	63	79	105	133					
37					11	16	24	31	39	52	66	78				
49						9	14	18	22	30	38	44	51	59		
67							7	9	12	16	20	24	27	32	37	
80								7	8	11	14	17	19	22	26	20
98									6	7	9	11	13	15	17	13
122										5	6	7	8	10	11	13
147											4	5	6	7	8	9
175												3	4	5	5	6
196													3	4	4	5
227														3	3	4
270															2	3
312																2
C. No.		3x88	3x75	3x61	2x48	2x40	2x30	2x30	2x26	2x23						
W. No.	3x139	3x97	3x81	3x61	2x48	2x40	2x30	2x30	2x26	2x23						

Maximum power dissipation with T6 temperature class must not exceed 36W

### CTB624520

Current (A)	Cross-sectional area in mm <sup>2</sup>															
	1.5	2.5	4	6	10	16	25	35	50	70	95	120	150	185	240	300
1																
8	41	69	105	150	235	348										
10	26	44	67	96	151	223	325									
11	22	36	56	79	125	184	269	350								
15		19	30	43	67	99	145	188	238							
21			15	22	34	51	74	96	121	162						
26				14	22	33	48	63	79	105	133					
37					11	16	24	31	39	52	66	78				
49						9	14	18	22	30	38	44				
67							7	9	12	16	20	24	27	32	37	
80								7	8	11	14	17	19	22	26	20
98									6	7	9	11	13	15	17	13
122										5	6	7	8	10	11	13
147											4	5	6	7	8	9
175												3	4	5	5	6
196													3	4	4	5
227														3	3	4
270															2	3
312																2
C. No.		3x88	3x75	3x61	2x48	2x40	2x30	2x30	2x26	2x23	15	11	11	9	9	9
W. No.	3x139	3x97	3x81	3x61	2x48	2x40	2x30	2x30	2x26	2x23	17	15	15	13	13	9

Maximum power dissipation with T6 temperature class must not exceed 36W

### CTB745520

Current (A)	Cross-sectional area in mm <sup>2</sup>															
	1.5	2.5	4	6	10	16	25	35	50	70	95	120	150	185	240	300
1																
8	41	69	105	150	235	348										
10	26	44	67	96	151	223	325									
11	22	36	56	79	125	184	269	350								
15		19	30	43	67	99	145	188	238							
21			15	22	34	51	74	96	121	162						
26				14	22	33	48	63	79	105	133					
37					11	16	24	31	39	52	66	78				
49						9	14	18	22	30	38	44	51	59		
67							7	9	12	16	20	24	27	32	37	
80								7	8	11	14	17	19	22	26	20
98									6	7	9	11	13	15	17	13
122										5	6	7	8	10	11	13
147											4	5	6	7	8	9
175												3	4	5	5	6
196													3	4	4	5
227														3	3	4
270															2	3
312																2
C. No.		4x110	4x93	4x76	3x60	3x50	3x37	3x37	3x33	3x29	18	14	14	11	11	11
W. No.	4x174	4x121	4x101	4x76	3x60	3x50	3x37	3x37	3x32	3x29	22	18	18	16	16	11

Maximum power dissipation with T6 temperature class must not exceed 36W

### CTB765020

Current (A)	Cross-sectional area in mm <sup>2</sup>															
	1.5	2.5	4	6	10	16	25	35	50	70	95	120	150	185	240	300
1																
8	41	69	105	150	235	348										
10	26	44	67	96	151	223	325									
11	22	36	56	79	125	184	269	350								
15		19	30	43	67	99	145	188	238							
21			15	22	34	51	74	96	121	162						
26				14	22	33	48	63	79	105	133					
37					11	16	24	31	39	52	66	78				
49						9	14	18	22	30	38	44	51	59		
67							7	9	12	16	20	24	27	32	37	
80								7	8	11	14	17	19	22	26	20
98									6	7	9	11	13	15	17	13
122										5	6	7	8	10	11	13
147											4	5	6	7	8	9
175												3	4	5	5	6
196													3	4	4	5
227														3	3	4
270															2	3
312																2
C. No.		4x116	4x98	4x79	3x63	3x53	3x39	3x39	3x35	3x30	19	14	14	12	12	12
W. No.	4x182	4x127	4x106	4x79	3x63	3x53	3x39	3x39	3x34	3x30	23	19	19	17	17	12

Maximum power dissipation with T6 temperature class must not exceed 36W

# CTB... series Features of junction boxes with terminals

## Tables showing maximum number of conductors

### CTB808030

Current (A)	Cross-sectional area in mm <sup>2</sup>															
	1.5	2.5	4	6	10	16	25	35	50	70	95	120	150	185	240	300
1																
8	41	69	105	150	235	348										
10	26	44	67	96	151	223	325									
11	22	36	56	79	125	184	269	350								
15		19	30	43	67	99	145	188	238							
21			15	22	34	51	74	96	121	162						
26				14	22	33	48	63	79	105	133					
37					11	16	24	31	39	52	66	78				
49						9	14	18	22	30	38	44	51	59		
67							7	9	12	16	20	24	27	32	37	
80								7	8	11	14	17	19	22	26	20
98									6	7	9	11	13	15	17	13
122										5	6	7	8	10	11	13
147											4	5	6	7	8	9
175												3	4	5	5	6
196													3	4	4	5
227														3	3	4
270															2	3
312																2
C. No.		5x121	5x102	5x83	5x66	5x55	4x41	4x41	3x36	3x32	20	15	15	12	12	12
W. No.	5x191	5x133	5x111	5x83	5x66	5x55	4x41	4x41	3x35	3x32	24	20	20	18	18	

Maximum power dissipation with T6 temperature class must not exceed 36W

### CTB866420

Current (A)	Cross-sectional area in mm <sup>2</sup>															
	1.5	2.5	4	6	10	16	25	35	50	70	95	120	150	185	240	300
1																
8	41	69	105	150	235	348										
10	26	44	67	96	151	223	325									
11	22	36	56	79	125	184	269	350								
15		19	30	43	67	99	145	188	238							
21			15	22	34	51	74	96	121	162						
26				14	22	33	48	63	79	105	133					
37					11	16	24	31	39	52	66	78				
49						9	14	18	22	30	38	44	51	59		
67							7	9	12	16	20	24	27	32	37	
80								7	8	11	14	17	19	22	26	20
98									6	7	9	11	13	15	17	13
122										5	6	7	8	10	11	13
147											4	5	6	7	8	9
175												3	4	5	5	6
196													3	4	4	5
227														3	3	4
270															2	3
312																2
C. No.		5x132	5x112	5x91	5x72	5x60	4x45	4x45	3x40	3x35	22	17	17	13	13	13
W. No.	5x208	5x145	5x121	5x91	5x72	5x60	4x45	4x45	3x39	3x35	26	22	22	20	20	

Maximum power dissipation with T6 temperature class must not exceed 36W

### CTB916120, CTB916130

Current (A)	Cross-sectional area in mm <sup>2</sup>															
	1.5	2.5	4	6	10	16	25	35	50	70	95	120	150	185	240	300
1																
8	41	69	105	150	235	348										
10	26	44	67	96	151	223	325									
11	22	36	56	79	125	184	269	350								
15		19	30	43	67	99	145	188	238							
21			15	22	34	51	74	96	121	162						
26				14	22	33	48	63	79	105	133					
37					11	16	24	31	39	52	66	78				
49						9	14	18	22	30	38	44	51	59		
67							7	9	12	16	20	24	27	32	37	
80								7	8	11	14	17	19	22	26	20
98									6	7	9	11	13	15	17	13
122										5	6	7	8	10	11	13
147											4	5	6	7	8	9
175												3	4	5	5	6
196													3	4	4	5
227														3	3	4
270															2	3
312																2
C. No.		5x143	5x121	5x98	5x78	5x65	4x49	4x49	3x43	3x38	24	18	18	14	14	14
W. No.	5x225	5x157	5x131	5x98	5x78	5x65	4x49	4x49	3x42	3x38	29	24	24	21	21	

Maximum power dissipation with T6 temperature class must not exceed 36W

### CTB987420

Current (A)	Cross-sectional area in mm <sup>2</sup>															
	1.5	2.5	4	6	10	16	25	35	50	70	95	120	150	185	240	300
1																
8	41	69	105	150	235	348										
10	26	44	67	96	151	223	325									
11	22	36	56	79	125	184	269	350								
15		19	30	43	67	99	145	188	238							
21			15	22	34	51	74	96	121	162						
26				14	22	33	48	63	79	105	133					
37					11	16	24	31	39	52	66	78				
49						9	14	18	22	30	38	44	51	59		
67							7	9	12	16	20	24	27	32	37	
80								7	8	11	14	17	19	22	26	20
98									6	7	9	11	13	15	17	13
122										5	6	7	8	10	11	13
147											4	5	6	7	8	9
175												3	4	5	5	6
196													3	4	4	5
227														3	3	4
270															2	3
312																2
C. No.		5x154	5x130	5x106	5x84	5x70	4x52	4x52	3x46	3x41	26	19	19	16	16	16
W. No.	5x242	5x169	5x141	5x104	5x84	5x70	4x52	4x52	3x45	3x41	31	26	26	23	23	

Maximum power dissipation with T6 temperature class must not exceed 36W

# CTB... series Features of junction boxes with terminals

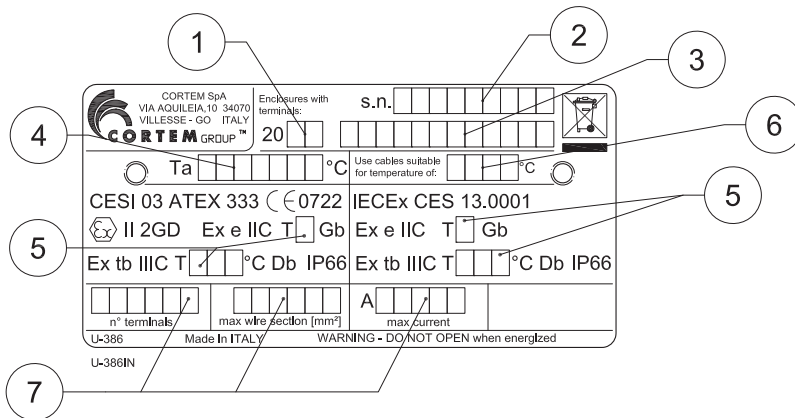
## Codes of terminals used to determine maximum number of terminals

The other values given in the cells along the table's diagonal define the maximum number of conductors allowed, based on their cross-sectional area and maximum current.

mm <sup>2</sup>	1.5	2.5	4	6	10	16	25	35
<b>Cabur</b>		CBD 2	CBD 4	CBD 6	CBD 10	CBD 16	CBD 35	
<b>Weidmuller</b>	WDU 1.5	WDU 2.5	WDU 4	WDU 6	WDU 10	WDU 16	WDU 35	

mm <sup>2</sup>	50	70	95	120	150	185	240	300
<b>Cabur</b>	CBD 50	CBD 70	GPM95/CC	GPM150/CC		GPM240/CC		
<b>Weidmuller</b>	WDU 50	WDU 70	WDU 70/95	WDU 120/150		WDU 240		

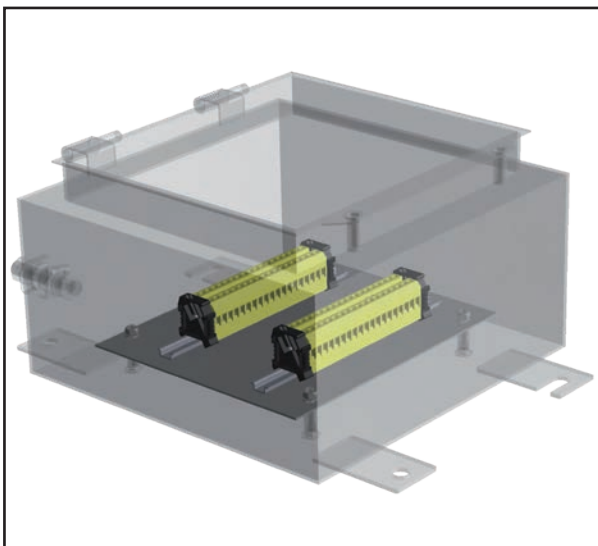
### ATEX - IECEx label for terminal enclosures



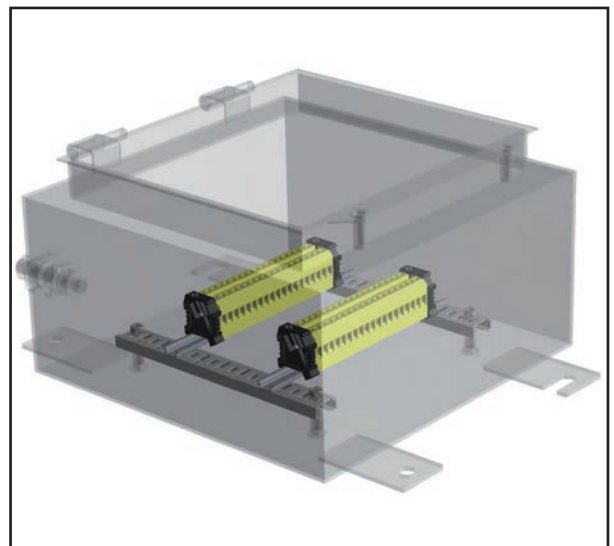
#### Data filled in:

1. year of manufacture
2. serial number
3. product code
4. ambient temperature
5. temperature class and maximum surface
6. temperature of cables
7. electrical specs per certificate

## TYPICAL EXAMPLES OF TERMINAL BLOCK INSTALLATION



Example of feed-through terminal installation on top hat rail fastened to stainless steel internal mounting plate.



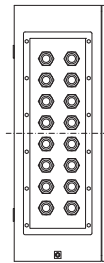
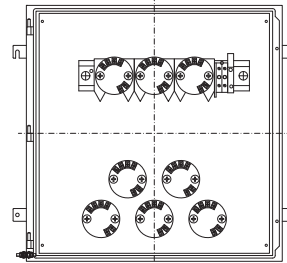
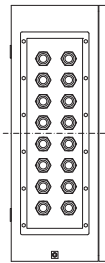
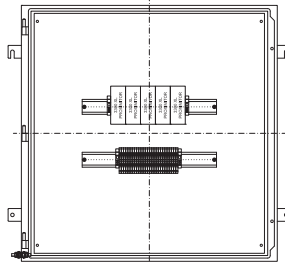
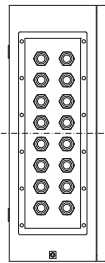
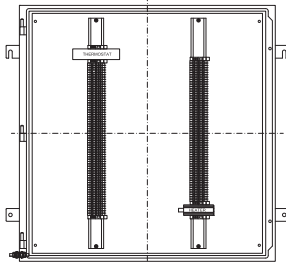
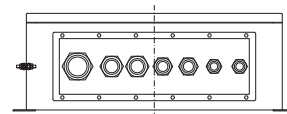
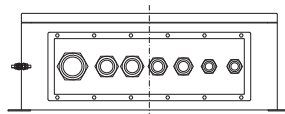
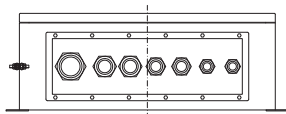
Example of feed-through terminal installation on top hat rail fastened on two pre-drilled mounting rails.

### DON'T FORGET TO ORDER THE ACCESSORIES

Example: Enclosure type CTB484820 + Terminal mounting rails OBO2060/S + Cable glands, unions + other...see key



## JUNCTION BOXES WITH EQUIPMENT (FIELDBUS, PROXIMITOR, HEATER...)



Example of junction box with thermostat

Example of junction box with proximator

Example of junction box with transmitter

Equipment that can be installed in the junction boxes in accordance with the CML 16 ATEX 3163X or IECEx CML 16.0074X certificate are described in the following table:

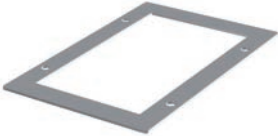



Parte	Numero di certificato	Esecuzione
Series 3300XL Proximator	IECEX BAS 04.0055X	Ex ia IIC
Splice Cassette type 8186	PTB 10 ATEX 2015U IECEX PTB 10.0060U	Ex op pr IIC
Enclosure Heater (TEF Series)	NEMKO 11 ATEX 1098X IECEX NEM 11.0005X	Ex e IIC; Ex e mb IIC
Heater, type SL.. THERM D.. T..	PTB 02 ATEX 1116X IECEX PTB 07.0055X	Ex db IIC; Ex tb IIIC
Heater, type CP.. THERM D.. T..	PTB 02 ATEX 1041X IECEX PTB 07.0052X	Ex db IIC; Ex tb IIIC
Fieldbus Segment protector type R-SP-E	PTB 04 ATEX 2100X IECEX PTB 05.0010X	Ex e mb IIC; Ex eb mb IIC
Temperature Trasmitter Model IPAQ C202X	KIVA 15 ATEX 0033X IECEX KIWA 15.0015X	Ex ia IIC
Temperature Trasmitter Model IPAQ C520X	KIVA 14 ATEX 0003X IECEX KIWA 14.0001X	Ex ia IIC
Fieldbus Barrier type R4D0-FB-IA	BVS 13 ATEX E 121X IECEX BVS 13.0119X	Ex e ib mb [ia Ga] IIC T4 Gb Ex e ib mb [ia IIIC Da] IIC T4 Gb
Heating Resistor type CREx 020	LCIE 01 ATEX 6073X IECEX LCI 07.0020X	Ex d IIC; Ex tb IIIC
Regulating Thermostat type REX	LCIE 01 ATEX 6074 IECEX LCI 07.0021	Ex d IIC; Ex tb IIIC
Interconnection block for fieldbus type F240 to F273	KEMA 03 ATEX 1555X IECEX LCI 11.0068X	Ex ia IIC
Fieldbus XE Megablock and Terminator	KEMA 05 ATEX 2006 IECEX DEK 16.0036X	Ex eb mb IIC

**Attention: please contact our sales office for further information.**

## CTB... series Accessories available on request and spare parts

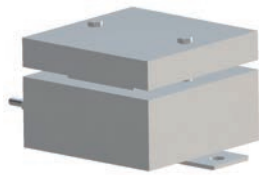
ILLUSTRATION	DESCRIPTION	MODEL	DIMENSIONS A      B		CODE	KEY
	Internal mounting plates  Stainless steel	CTB221513	155	80	<b>B22-443</b>	
		CTB262616	210	180	<b>B26-443</b>	
		CTB262620				
		CTB303016	250	230	<b>B30-443</b>	
		CTB303020				
		CTB382616	330	180	<b>B38-443</b>	
		CTB382620				
		CTB453816	400	300	<b>B45-443</b>	
		CTB453820				
		CTB484816	430	400	<b>B48-443</b>	
		CTB484820				
		CTB503516	450	270	<b>B50-443</b>	
		CTB503520				
		CTB624516	570	370	<b>B62-443</b>	
		CTB624520				
		CTB745520	690	470	<b>B74-443</b>	
		CTB765020	710	430	<b>B76-443</b>	
		CTB866420	810	560	<b>B86-443</b>	
CTB916120	860	530	<b>B91-443</b>			
CTB916130						
CTB987420	930	660	<b>B98-443</b>			
ILLUSTRATION	DESCRIPTION	MODEL	FEATURES		CODE	KEY
	Terminal block mounting rails		Pre-drilled steel rails cut to size		<b>OB02060/S</b>	
	Universal clip for grouping cables in single bundle	For 6-13mm cable	Material: polyamide Hole for M6 screw for fastening		<b>OB02037/6-13</b>	
		For 12-20mm cable			<b>OB02037/12-20</b>	
		For 16-24mm cable			<b>OB02037/16-24</b>	
		For 18-30mm cable			<b>OB02037/18-30</b>	
		For 27-43mm cable			<b>OB02037/27-43</b>	
	Breather and drain valve	Thread diameter ISO 7-R 3/8"	Material: stainless steel		<b>ECD-210S</b>	
	Breather valve	ISO M20x1,5	Material: stainless steel		<b>ECDE-B1B</b>	
	Breather and drain valve	ISO M25x1,5			<b>ECDE-B2B</b>	
		ISO M20x1,5			<b>ECDE-D1B</b>	
		ISO M25x1,5			<b>ECDE-D2B</b>	
	Through earth connection	M6	Material: stainless steel		<b>K-0307/2</b>	
		M8			<b>K-0307/1</b>	
	Entry blanking plugs and cable glands	For models and codes, visit <a href="http://www.cortemgroup.com">www.cortemgroup.com</a>				
	Lid-mounted control and signalling devices	For control and signalling device models and codes, see control and monitoring device chapter			<b>M-0... (Ex de)</b>	

## CTB... series Accessories available on request and spare parts

ILLUSTRATION	DESCRIPTION	MODEL	CODE	KEY
	Gasket between body and lid	CSTB121208	<b>B12-446</b>	
		CSTB151509	<b>B15-446</b>	
		CSTB191910	<b>B19-446</b>	
		CTB221513	<b>B22-446</b>	
		CTB262616	<b>B26-446</b>	
		CTB262620	<b>B26-446</b>	
		CTB303016	<b>B30-446</b>	
		CTB303020	<b>B30-446</b>	
		CTB382616	<b>B38-446</b>	
		CTB382620	<b>B38-446</b>	
		CTB453816	<b>B45-446</b>	
		CTB453820	<b>B45-446</b>	
		CTB484816	<b>B48-446</b>	
		CTB484820	<b>B48-446</b>	
		CTB503516	<b>B50-446</b>	
		CTB503520	<b>B50-446</b>	
		CTB624516	<b>B62-446</b>	
		CTB624520	<b>B62-446</b>	
		CTB745520	<b>B74-446</b>	
		CTB765020	<b>B76-446</b>	
		CTB866420	<b>B86-446</b>	
CTB916120	<b>B91-446</b>			
CTB916130	<b>B91-446</b>			
CTB987420	<b>B98-446</b>			
	Gasket between removable gland plates and body	B1-444	<b>B1-445</b>	
		B2-444	<b>B2-445</b>	
		B3-444	<b>B3-445</b>	
		B4-444	<b>B4-445</b>	
		B5-444	<b>B5-445</b>	
		B6-444	<b>B6-445</b>	
		B7-444	<b>B7-445</b>	
		B8-444	<b>B8-445</b>	
		B9-444	<b>B9-445</b>	
		B10-444	<b>B10-445</b>	
		B11-444	<b>B11-445</b>	
		B12-444	<b>B12-445</b>	
		B13-444	<b>B13-445</b>	
		B14-444	<b>B14-445</b>	
		B15-444	<b>B15-445</b>	
		B16-444	<b>B16-445</b>	
		B17-444	<b>B17-445</b>	
		B18-444	<b>B18-445</b>	
		B19-444	<b>B19-445</b>	
		B20-444	<b>B20-445</b>	
		B21-444	<b>B21-445</b>	
		B22-444	<b>B22-445</b>	



# CTB... series (Ex e) and (Ex i) stainless steel junction boxes



Zone 1,2,21,22.  
 Degree of protection IP66.  
 Stainless steel body and lid.  
 Acid/hydrocarbon-resistant gasket.  
 Stainless steel bolts and screws.  
 Impact protection IK10.

## Ordering details

Standard stainless steel enclosure: **CSTB121208**

Width/Depth/Height: **120/120/80mm**

## Certification data for enclosures with terminals

Group II Category 2GD

Zone 1 - Zone 2 (Gas) Zone 21 - Zone 22 (Dust)

II 2GD Ex eb IIC T.. Gb - Ex tb IIIC T.. Db IP66

II 2GD Ex ia IIC T.. Gb - Ex ia IIIC T.. Db IP66

II 2GD Ex eb ia IIC T.. Gb - Ex tb ia IIIC T.. Db IP66

Ambient temperature: -40°C +55°C (+40°C)

Certification:

CESI 03 ATEX 333 (ATEX)

CESI 03 ATEX 115 X (ATEX)

IEC Ex CES 13.0001 (IECEX)

Russian (TR CU)

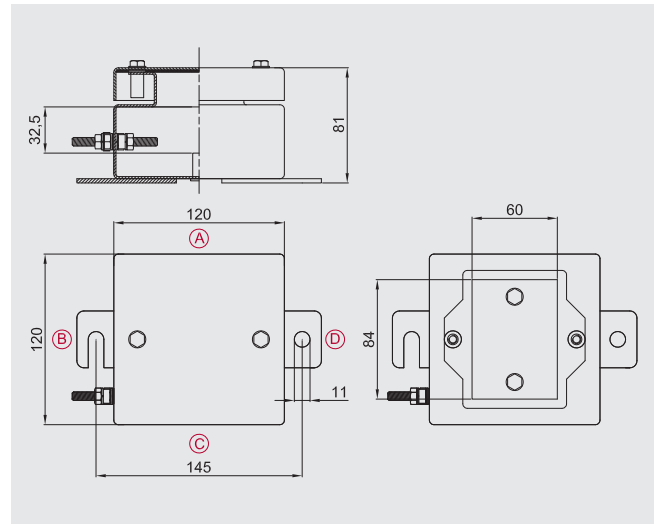
Brazilian (INMETRO)

## Accessories

	CODE
Breather and drain valve:	<b>ECD-210S</b>

Other:

Internal anti-condensation coating  
 External epoxy coatings in different colour  
 Body and cover thickness of 3 mm  
 M6 or M8 through earth connection  
 Possible drilling of the enclosure bottom  
 Key locking system



## Max. number of terminals

X-SECT.	QTY.
1.5 mm <sup>2</sup>	8
2.5 mm <sup>2</sup>	5



Eg. 2x22= 2 rows of 22 terminals (total 44 terminals). The maximum number of standard terminals refers to the mounting of CABUR and/or WEIDMULLER terminals.

The data in the table are given as a rough guide only based solely on the size of the enclosures and the space taken up by the terminals.

## Number of cable glands

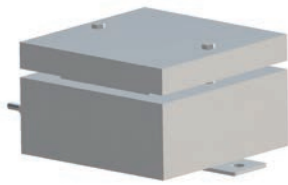
Hole type	Standard enclosure	
	A/C	B/D
M16	2	3
M20	2	3
M25	2	3



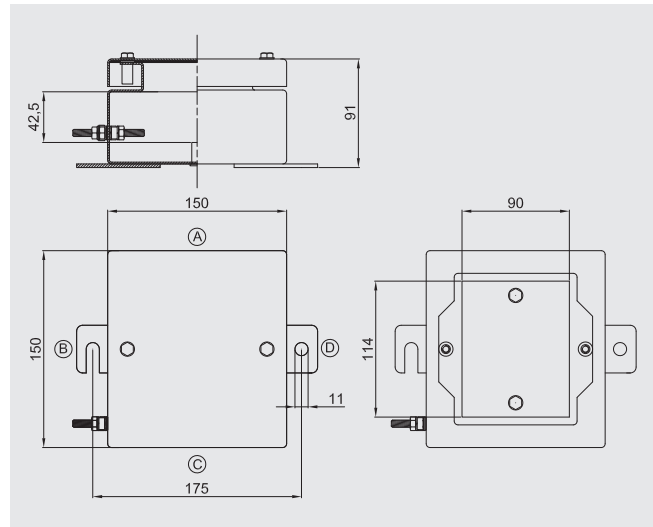
Research conducted using Cortem's new NAV and NEV series cable glands.

As required by the current standard, holes can be drilled by Cortem or by authorized partners who hold a production notification in accordance with ATEX Directive .

# CTB... series (Ex e) and (Ex i) stainless steel junction boxes



Zone 1,2,21,22.  
 Degree of protection IP66.  
 Stainless steel body and lid.  
 Acid/hydrocarbon-resistant gasket.  
 Stainless steel bolts and screws.  
 Impact protection IK10.



## Ordering details

Standard stainless steel enclosure:	<b>CSTB151509</b>
Width/Depth/Height:	<b>150/150/90mm</b>

## Certification data for enclosures with terminals

Group II Category 2GD
Zone 1- Zone 2 (Gas) Zone 21 - Zone 22 (Dust)
II 2GD Ex eb IIC T.. Gb - Ex tb IIIC T.. Db IP66
II 2GD Ex ia IIC T.. Gb - Ex ia IIIC T.. Db IP66
II 2GD Ex eb ia IIC T.. Gb - Ex tb ia IIIC T.. Db IP66
Ambient temperature: -40°C +55°C (+40°C)

Certification:  
 CESI 03 ATEX 333 (ATEX)  
 CESI 03 ATEX 115 X (ATEX)  
 IEC Ex CES 13.0001 (IECEX)  
 Russian (TR CU)  
 Brazilian (INMETRO)

## Accessories

	<b>CODE</b>
Breather and drain valve:	<b>ECD-210S</b>

Other:  
 Internal anti-condensation coating  
 External epoxy coatings in different colour  
 Body and cover thickness of 3 mm  
 M6 or M8 through earth connection  
 Possible drilling of the enclosure bottom  
 Key locking system

## Max. number of terminals

X-SECT.	QTY.
1.5 mm <sup>2</sup>	16
2.5 mm <sup>2</sup>	11



Eg. 2x22= 2 rows of 22 terminals (total 44 terminals). The maximum number of standard terminals refers to the mounting of CABUR and/or WEIDMULLER terminals.  
 The data in the table are given as a rough guide only based solely on the size of the enclosures and the space taken up by the terminals.

## Number of cable glands

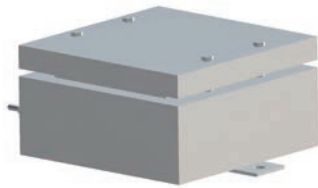
Standard enclosure		
Hole type	A/C	B/D
M16	3	4
M20	3	4
M25	2	3
M32	2	2



Research conducted using Cortem's new NAV and NEV series cable glands.

As required by the current standard, holes can be drilled by Cortem or by authorized partners who hold a production notification in accordance with ATEX Directive .

# CTB... series (Ex e) and (Ex i) stainless steel junction boxes



Zone 1,2,21,22.  
 Degree of protection IP66.  
 Stainless steel body and lid.  
 Acid/hydrocarbon-resistant gasket.  
 Stainless steel bolts and screws.  
 Impact protection IK10.

## Ordering details

Standard stainless steel enclosure: **CSTB191910**

Width/Depth/Height: **190/190/100mm**

## Certification data for enclosures with terminals

Group II Category 2GD

Zone 1 - Zone 2 (Gas) Zone 21 - Zone 22 (Dust)

II 2GD Ex eb IIC T.. Gb - Ex tb IIIC T.. Db IP66

II 2GD Ex ia IIC T.. Gb - Ex ia IIIC T.. Db IP66

II 2GD Ex eb ia IIC T.. Gb - Ex tb ia IIIC T.. Db IP66

Ambient temperature: -40°C +55°C (+40°C)

Certification:

CESI 03 ATEX 333 (ATEX)

CESI 03 ATEX 115 X (ATEX)

IEC Ex CES 13.0001 (IECEX)

Russian (TR CU)

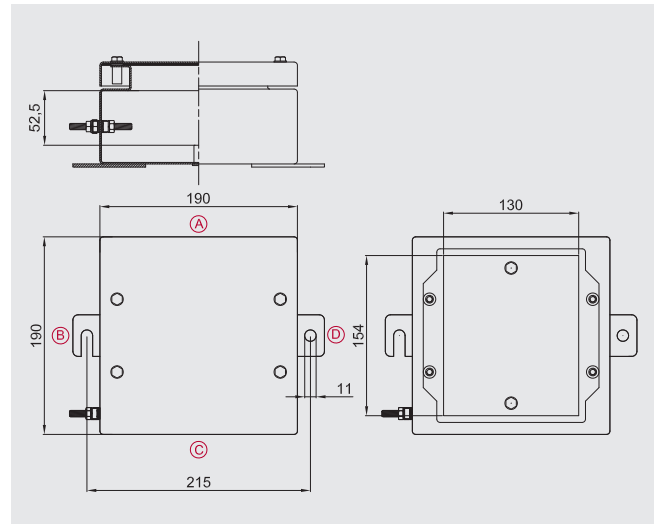
Brazilian (INMETRO)

## Accessories

	CODE
Breather and drain valve:	<b>ECD-210S</b>

Other:

Internal anti-condensation coating  
 External epoxy coatings in different colour  
 Body and cover thickness of 3 mm  
 M6 or M8 through earth connection  
 Possible drilling of the enclosure bottom  
 Key locking system



## Max. number of terminals

X-SECT.	QTY.
1.5 mm <sup>2</sup>	28
2.5 mm <sup>2</sup>	19
4 mm <sup>2</sup>	16
6 mm <sup>2</sup>	12



Eg. 2x22= 2 rows of 22 terminals (total 44 terminals). The maximum number of standard terminals refers to the mounting of CABUR and/or WEIDMULLER terminals.

The data in the table are given as a rough guide only based solely on the size of the enclosures and the space taken up by the terminals.

## Number of cable glands

Hole type	Standard enclosure	
	A/C	B/D
M16	4	4
M20	4	4
M25	3	4
M32	2	3
M40	2	3



Research conducted using Cortem's new NAV and NEV series cable glands.

As required by the current standard, holes can be drilled by Cortem or by authorized partners who hold a production notification in accordance with ATEX Directive .

# CTB... series (Ex e) and (Ex i) stainless steel junction boxes



Zone 1,2,21,22.  
 Degree of protection IP66.  
 Stainless steel body and lid.  
 Acid/hydrocarbon-resistant gasket.  
 Stainless steel bolts and screws.  
 Impact protection IK10.

## Ordering details

Standard stainless steel enclosure:	<b>CTB221513</b>
Width/Depth/Height:	<b>229/152/130mm</b>

## Certification data for enclosures with terminals

Group II Category 2GD
Zone 1- Zone 2 (Gas) Zone 21 - Zone 22 (Dust)
II 2GD Ex eb IIC T.. Gb - Ex tb IIIC T.. Db IP66
II 2GD Ex ia IIC T.. Gb - Ex ia IIIC T.. Db IP66
II 2GD Ex eb ia IIC T.. Gb - Ex tb ia IIIC T.. Db IP66
Ambient temperature: -40°C +55°C (+40°C)

Certification:  
 CESI 03 ATEX 333 (ATEX)  
 CESI 03 ATEX 115 X (ATEX)  
 IEC Ex CES 13.0001 (IECEX)  
 Russian (TR CU)  
 Brazilian (INMETRO)

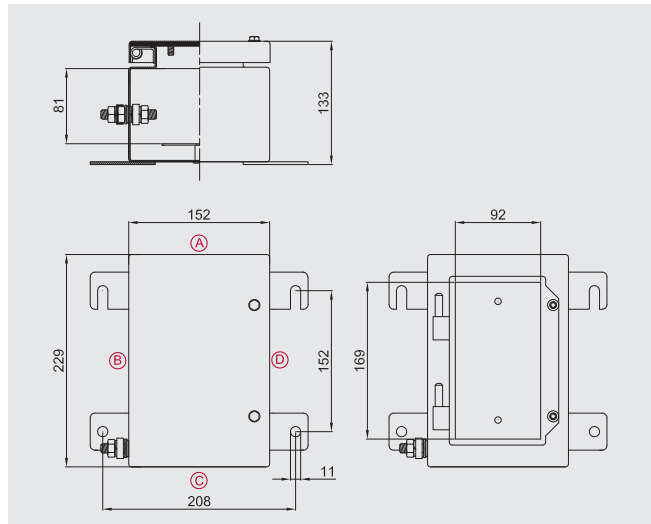
## Accessories

	CODE
1.5mm-thick stainless steel internal mounting plate:	<b>B22-443</b>
Terminal block mounting rails:	<b>OBO2060/S</b>
Breather and drain valve:	<b>ECD-210S</b>

Other:

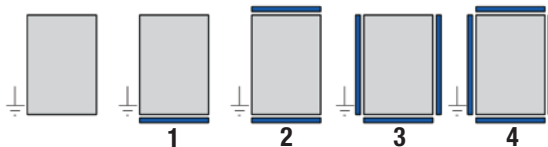
- Padlocking system
- Internal anti-condensation coating
- External epoxy coatings in different colour
- Body and cover thickness of 3 mm
- Clip for grouping cables in single bundle
- M6 or M8 through earth connection
- Possible drilling of the enclosure bottom
- Key locking system

ED.2023



## Ordering details for boxes with removable gland plates

### Removable gland plate position coding



### Ordering code examples

- CTB503516S3**  
500x350x160 stainless steel box with 3 removable gland plates
- CTB624520S4**  
620x450x205 stainless steel box with 4 removable gland plates

## Max. number of terminals

X-SECT.	QTY.
1.5 mm <sup>2</sup>	27
2.5 mm <sup>2</sup>	19
4 mm <sup>2</sup>	15
6 mm <sup>2</sup>	11



Eg. 2x22= 2 rows of 22 terminals (total 44 terminals). The maximum number of standard terminals refers to the mounting of CABUR and/or WEIDMULLER terminals.  
 The data in the table are given as a rough guide only based solely on the size of the enclosures and the space taken up by the terminals.

## Number of cable glands

Standard enclosure			With removable gland plates		
Hole type	A/C	B/D	Hole type	A/C	B/D
M16	5	8	M16	3	3
M20	5	8	M20	3	3
M25	2	3	M25	2	2
M32	2	3	M40	1	1
M40	1	3	M50	1	1
			M63	1	1



Research conducted using Cortem's new NAV and NEV series cable glands.

As required by the current standard, holes can be drilled by Cortem or by authorized partners who hold a production notification in accordance with ATEX Directive.

# CTB... series (Ex e) and (Ex i) stainless steel junction boxes



Zone 1,2,21,22.  
Degree of protection IP66.  
Stainless steel body and lid.  
Acid/hydrocarbon-resistant gasket.  
Stainless steel bolts and screws.  
Impact protection IK10.

## Ordering details

Standard stainless steel enclosure: **CTB262616**

Width/Depth/Height: **260/260/160mm**

## Certification data for enclosures with terminals

Group II Category 2GD

Zone 1 - Zone 2 (Gas) Zone 21 - Zone 22 (Dust)

II 2GD Ex eb IIC T.. Gb - Ex tb IIIC T.. Db IP66

II 2GD Ex ia IIC T.. Gb - Ex ia IIIC T.. Db IP66

II 2GD Ex eb ia IIC T.. Gb - Ex tb ia IIIC T.. Db IP66

Ambient temperature: -40°C +55°C (+40°C)

Certification:

CESI 03 ATEX 333 (ATEX)

CESI 03 ATEX 115 X (ATEX)

IEC Ex CES 13.0001 (IECEX)

Russian (TR CU)

Brazilian (INMETRO)

## Accessories

	CODE
1.5mm-thick stainless steel internal mounting plate:	<b>B26-443</b>
Terminal block mounting rails:	<b>OBO2060/S</b>
Breather and drain valve:	<b>ECD-210S</b>

Other:

Padlocking system

Internal anti-condensation coating

External epoxy coatings in different colour

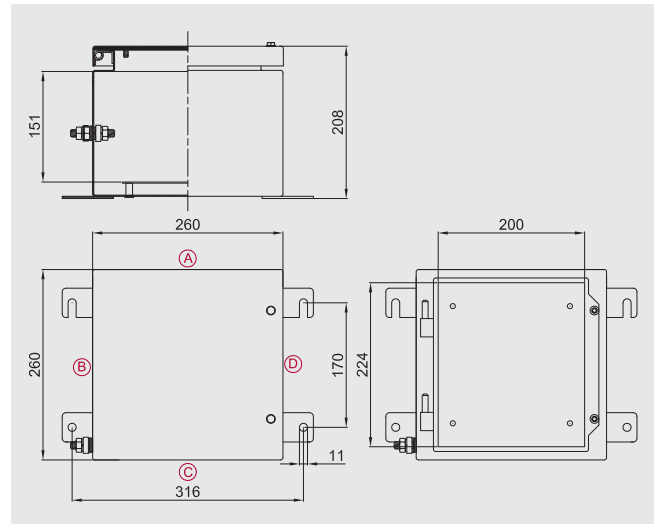
Body and cover thickness of 3 mm

Clip for grouping cables in single bundle

M6 or M8 through earth connection

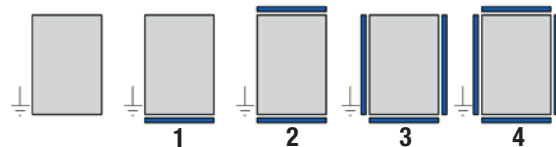
Possible drilling of the enclosure bottom

Key locking system



## Ordering details for boxes with removable gland plates

### Removable gland plate position coding



### Ordering code examples

#### 1) CTB503516S3

500x350x160 stainless steel box with 3 removable gland plates

#### 2) CTB624520S4

620x450x205 stainless steel box with 4 removable gland plates

## Max. number of terminals

X-SECT.	QTY.
1.5 mm <sup>2</sup>	2x36
2.5 mm <sup>2</sup>	2x25
4 mm <sup>2</sup>	2x21
6 mm <sup>2</sup>	2x16
10 mm <sup>2</sup>	2x12
16 mm <sup>2</sup>	2x10
25 mm <sup>2</sup>	7



Eg. 2x22= 2 rows of 22 terminals (total 44 terminals). The maximum number of standard terminals refers to the mounting of CABUR and/or WEIDMULLER terminals.

The data in the table are given as a rough guide only based solely on the size of the enclosures and the space taken up by the terminals.

## Number of cable glands

Standard enclosure			With removable gland plates		
Hole type	A/C	B/D	Hole type	A/C	B/D
M20	10	10	M20	10	6
M25	7	8	M25	8	3
M32	4	4	M32	4	2
M40	3	3	M40	3	1
M50	3	3	M50	2	1
M63	2	2	M63	-	-



Research conducted using Cortem's new NAV and NEV series cable glands.

As required by the current standard, holes can be drilled by Cortem or by authorized partners who hold a production notification in accordance with ATEX Directive.

# CTB... series (Ex e) and (Ex i) stainless steel junction boxes



Zone 1,2,21,22.  
 Degree of protection IP66.  
 Stainless steel body and lid.  
 Acid/hydrocarbon-resistant gasket.  
 Stainless steel bolts and screws.  
 Impact protection IK10.

## Ordering details

Standard stainless steel enclosure:	<b>CTB262620</b>
Width/Depth/Height:	<b>260/260/205mm</b>

## Certification data for enclosures with terminals

Group II Category 2GD
Zone 1- Zone 2 (Gas) Zone 21 - Zone 22 (Dust)
II 2GD Ex eb IIC T.. Gb - Ex tb IIIC T.. Db IP66
II 2GD Ex ia IIC T.. Gb - Ex ia IIIC T.. Db IP66
II 2GD Ex eb ia IIC T.. Gb - Ex tb ia IIIC T.. Db IP66
Ambient temperature: -40°C +55°C (+40°C)

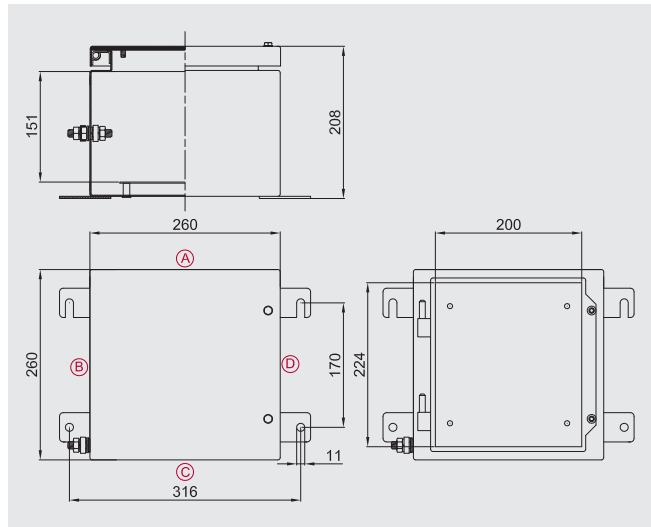
Certification:  
 CESI 03 ATEX 333 (ATEX)  
 CESI 03 ATEX 115 X (ATEX)  
 IEC Ex CES 13.0001 (IECEX)  
 Russian (TR CU)  
 Brazilian (INMETRO)

## Accessories

	CODE
1.5mm-thick stainless steel internal mounting plate:	<b>B26-443</b>
Terminal block mounting rails:	<b>OBO2060/S</b>
Breather and drain valve:	<b>ECD-210S</b>

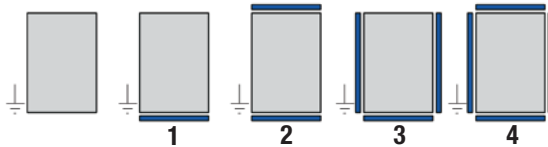
Other:  
 Padlocking system  
 Internal anti-condensation coating  
 External epoxy coatings in different colour  
 Body and cover thickness of 3 mm  
 Clip for grouping cables in single bundle  
 M6 or M8 through earth connection  
 Possible drilling of the enclosure bottom  
 Key locking system

ED.2023



## Ordering details for boxes with removable gland plates

### Removable gland plate position coding



### Ordering code examples

- CTB503516S3**  
500x350x160 stainless steel box with 3 removable gland plates
- CTB624520S4**  
620x450x205 stainless steel box with 4 removable gland plates

## Max. number of terminals

X-SECT.	QTY.
1.5 mm <sup>2</sup>	2x36
2.5 mm <sup>2</sup>	2x25
4 mm <sup>2</sup>	2x21
6 mm <sup>2</sup>	2x16
10 mm <sup>2</sup>	2x12
16 mm <sup>2</sup>	2x10
25 mm <sup>2</sup>	7



Eg. 2x22= 2 rows of 22 terminals (total 44 terminals). The maximum number of standard terminals refers to the mounting of CABUR and/or WEIDMULLER terminals.  
 The data in the table are given as a rough guide only based solely on the size of the enclosures and the space taken up by the terminals.

## Number of cable glands

Standard enclosure			With removable gland plates		
Hole type	A/C	B/D	Hole type	A/C	B/D
M20	15	15	M20	15	9
M25	14	12	M25	12	6
M32	8	6	M32	8	4
M40	6	6	M40	6	2
M50	3	3	M50	3	1
M63	2	2			



Research conducted using Cortem's new NAV and NEV series cable glands.

As required by the current standard, holes can be drilled by Cortem or by authorized partners who hold a production notification in accordance with ATEX Directive.

# CTB... series (Ex e) and (Ex i) stainless steel junction boxes



Zone 1,2,21,22.  
Degree of protection IP66.  
Stainless steel body and lid.  
Acid/hydrocarbon-resistant gasket.  
Stainless steel bolts and screws.  
Impact protection IK10.

## Ordering details

Standard stainless steel enclosure: **CTB303016**

Width/Depth/Height: **306/306/160mm**

## Certification data for enclosures with terminals

Group II Category 2GD

Zone 1 - Zone 2 (Gas) Zone 21 - Zone 22 (Dust)

II 2GD Ex eb IIC T.. Gb - Ex tb IIIC T.. Db IP66

II 2GD Ex ia IIC T.. Gb - Ex ia IIIC T.. Db IP66

II 2GD Ex eb ia IIC T.. Gb - Ex tb ia IIIC T.. Db IP66

Ambient temperature: -40°C +55°C (+40°C)

Certification:

CESI 03 ATEX 333 (ATEX)

CESI 03 ATEX 115 X (ATEX)

IEC Ex CES 13.0001 (IECEX)

Russian (TR CU)

Brazilian (INMETRO)

## Accessories

	CODE
1.5mm-thick stainless steel internal mounting plate:	<b>B30-443</b>
Terminal block mounting rails:	<b>OBO2060/S</b>
Breather and drain valve:	<b>ECD-210S</b>

Other:

Padlocking system

Internal anti-condensation coating

External epoxy coatings in different colour

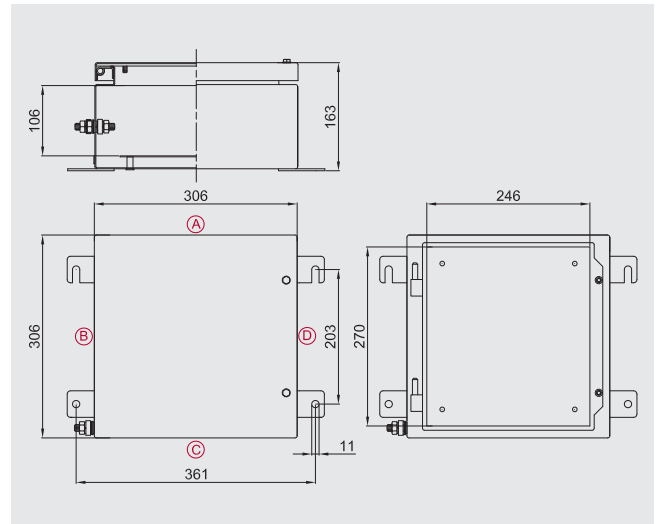
Body and cover thickness of 3 mm

Clip for grouping cables in single bundle

M6 or M8 through earth connection

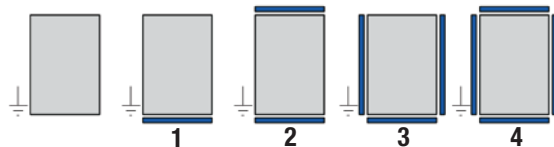
Possible drilling of the enclosure bottom

Key locking system



## Ordering details for boxes with removable gland plates

### Removable gland plate position coding



### Ordering code examples

#### 1) CTB503516S3

500x350x160 stainless steel box with 3 removable gland plates

#### 2) CTB624520S4

620x450x205 stainless steel box with 4 removable gland plates

## Max. number of terminals

X-SECT.	QTY.
1.5 mm <sup>2</sup>	2x54
2.5 mm <sup>2</sup>	2x37
4 mm <sup>2</sup>	2x31
6 mm <sup>2</sup>	2x23
10 mm <sup>2</sup>	2x18
16 mm <sup>2</sup>	2x15
25 mm <sup>2</sup>	11



Eg. 2x22= 2 rows of 22 terminals (total 44 terminals). The maximum number of standard terminals refers to the mounting of CABUR and/or WEIDMULLER terminals.

The data in the table are given as a rough guide only based solely on the size of the enclosures and the space taken up by the terminals.

## Number of cable glands

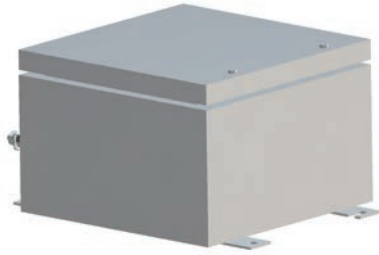
Standard enclosure			With removable gland plates		
Hole type	A/C	B/D	Hole type	A/C	B/D
M20	12	12	M20	12	10
M25	10	10	M25	10	8
M32	9	9	M32	4	4
M40	8	8	M40	4	3
M50	3	3	M50	3	3
M63	2	2	M63	2	2



Research conducted using Cortem's new NAV and NEV series cable glands.

As required by the current standard, holes can be drilled by Cortem or by authorized partners who hold a production notification in accordance with ATEX Directive.

# CTB... series (Ex e) and (Ex i) stainless steel junction boxes



Zone 1,2,21,22.  
 Degree of protection IP66.  
 Stainless steel body and lid.  
 Acid/hydrocarbon-resistant gasket.  
 Stainless steel bolts and screws.  
 Impact protection IK10.

## Ordering details

Standard stainless steel enclosure:	<b>CTB303020</b>
Width/Depth/Height:	<b>306/306/205mm</b>

## Certification data for enclosures with terminals

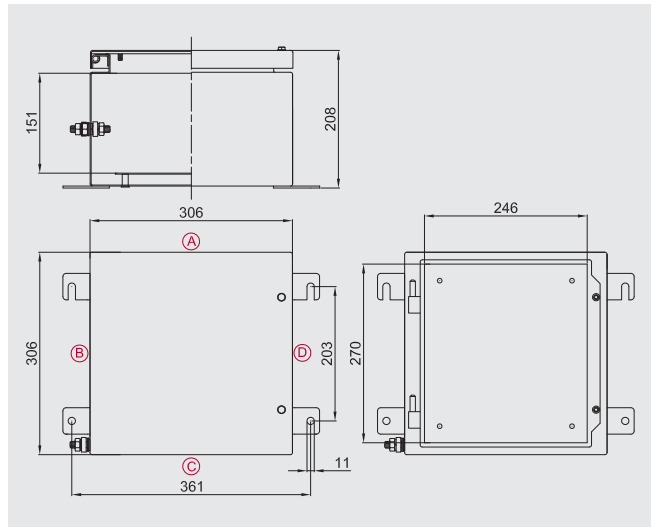
Group II Category 2GD
Zone 1- Zone 2 (Gas) Zone 21 - Zone 22 (Dust)
II 2GD Ex eb IIC T.. Gb - Ex tb IIIC T.. Db IP66
II 2GD Ex ia IIC T.. Gb - Ex ia IIIC T.. Db IP66
II 2GD Ex eb ia IIC T.. Gb - Ex tb ia IIIC T.. Db IP66
Ambient temperature: -40°C +55°C (+40°C)

Certification:  
 CESI 03 ATEX 333 (ATEX)  
 CESI 03 ATEX 115 X (ATEX)  
 IEC Ex CES 13.0001 (IECEX)  
 Russian (TR CU)  
 Brazilian (INMETRO)

## Accessories

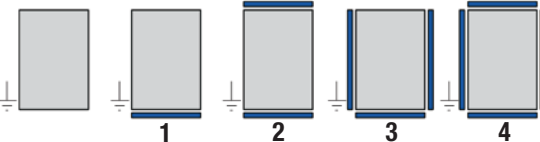
	CODE
1.5mm-thick stainless steel internal mounting plate:	<b>B30-443</b>
Terminal block mounting rails:	<b>OBO2060/S</b>
Breather and drain valve:	<b>ECD-210S</b>

Other:  
 Padlocking system  
 Internal anti-condensation coating  
 External epoxy coatings in different colour  
 Body and cover thickness of 3 mm  
 Clip for grouping cables in single bundle  
 M6 or M8 through earth connection  
 Possible drilling of the enclosure bottom  
 Key locking system



## Ordering details for boxes with removable gland plates

### Removable gland plate position coding



### Ordering code examples

- CTB503516S3**  
500x350x160 stainless steel box with 3 removable gland plates
- CTB624520S4**  
620x450x205 stainless steel box with 4 removable gland plates

## Max. number of terminals

X-SECT.	QTY.
2.5 mm <sup>2</sup>	2x37
4 mm <sup>2</sup>	2x31
6 mm <sup>2</sup>	2x23
10 mm <sup>2</sup>	2x18
16 mm <sup>2</sup>	2x15
25 mm <sup>2</sup>	11
35 mm <sup>2</sup>	11
50 mm <sup>2</sup>	10
70 mm <sup>2</sup>	9



Eg. 2x22= 2 rows of 22 terminals (total 44 terminals). The maximum number of standard terminals refers to the mounting of CABUR and/or WEIDMULLER terminals.  
 The data in the table are given as a rough guide only based solely on the size of the enclosures and the space taken up by the terminals.

## Number of cable glands

Standard enclosure			With removable gland plates		
Hole type	A/C	B/D	Hole type	A/C	B/D
M20	18	18	M20	18	15
M25	17	15	M25	13	10
M32	10	10	M32	8	8
M40	8	8	M40	4	3
M50	6	6	M50	3	2
M63	3	3			

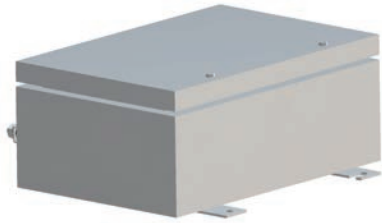


Research conducted using Cortem's new NAV and NEV series cable glands.

As required by the current standard, holes can be drilled by Cortem or by authorized partners who hold a production notification in accordance with ATEX Directive.



# CTB... series (Ex e) and (Ex i) stainless steel junction boxes



Zone 1,2,21,22.  
Degree of protection IP66.  
Stainless steel body and lid.  
Acid/hydrocarbon-resistant gasket.  
Stainless steel bolts and screws.  
Impact protection IK10.

## Ordering details

Standard stainless steel enclosure: **CTB382616**

Width/Depth/Height: **380/260/160mm**

## Certification data for enclosures with terminals

Group II Category 2GD

Zone 1 - Zone 2 (Gas) Zone 21 - Zone 22 (Dust)

II 2GD Ex eb IIC T.. Gb - Ex tb IIIC T.. Db IP66

II 2GD Ex ia IIC T.. Gb - Ex ia IIIC T.. Db IP66

II 2GD Ex eb ia IIC T.. Gb - Ex tb ia IIIC T.. Db IP66

Ambient temperature: -40°C +55°C (+40°C)

Certification:

CESI 03 ATEX 333 (ATEX)

CESI 03 ATEX 115 X (ATEX)

IEC Ex CES 13.0001 (IECEX)

Russian (TR CU)

Brazilian (INMETRO)

## Accessories

	CODE
1.5mm-thick stainless steel internal mounting plate:	<b>B38-443</b>
Terminal block mounting rails:	<b>OBO2060/S</b>
Breather and drain valve:	<b>ECD-210S</b>

Other:

Padlocking system

Internal anti-condensation coating

External epoxy coatings in different colour

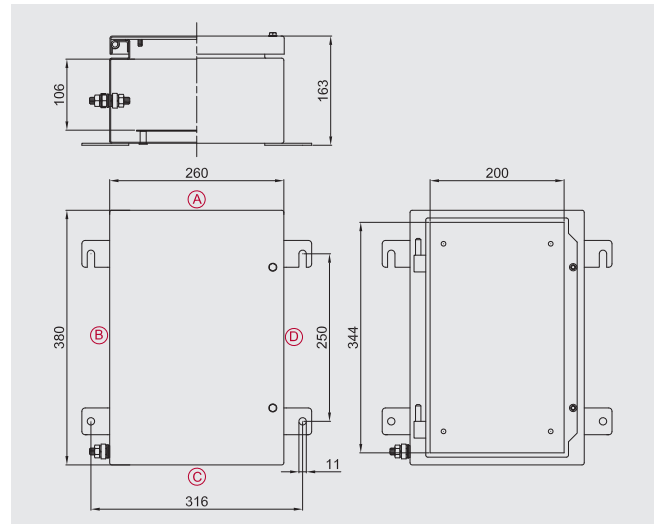
Body and cover thickness of 3 mm

Clip for grouping cables in single bundle

M6 or M8 through earth connection

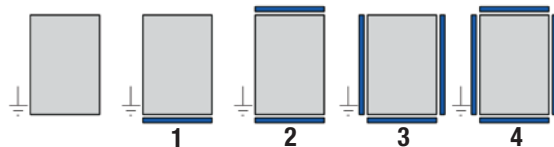
Possible drilling of the enclosure bottom

Key locking system



## Ordering details for boxes with removable gland plates

### Removable gland plate position coding



### Ordering code examples

#### 1) CTB503516S3

500x350x160 stainless steel box with 3 removable gland plates

#### 2) CTB624520S4

620x450x205 stainless steel box with 4 removable gland plates

## Max. number of terminals

X-SECT.	QTY.
2.5 mm <sup>2</sup>	2x71
4 mm <sup>2</sup>	2x49
6 mm <sup>2</sup>	2x41
10 mm <sup>2</sup>	2x31
16 mm <sup>2</sup>	2x20
25 mm <sup>2</sup>	15
35 mm <sup>2</sup>	15
50 mm <sup>2</sup>	13
70 mm <sup>2</sup>	11



Eg. 2x22= 2 rows of 22 terminals (total 44 terminals). The maximum number of standard terminals refers to the mounting of CABUR and/or WEIDMULLER terminals.

The data in the table are given as a rough guide only based solely on the size of the enclosures and the space taken up by the terminals.

## Number of cable glands

Standard enclosure			With removable gland plates		
Hole type	A/C	B/D	Hole type	A/C	B/D
M20	10	16	M20	10	12
M25	10	14	M25	8	9
M32	7	11	M32	4	4
M40	3	5	M40	3	3
M50	2	4	M50	3	3
M63	2	3			



Research conducted using Cortem's new NAV and NEV series cable glands.

As required by the current standard, holes can be drilled by Cortem or by authorized partners who hold a production notification in accordance with ATEX Directive.

# CTB... series (Ex e) and (Ex i) stainless steel junction boxes



Zone 1,2,21,22.  
Degree of protection IP66.  
Stainless steel body and lid.  
Acid/hydrocarbon-resistant gasket.  
Stainless steel bolts and screws.  
Impact protection IK10.

## Ordering details

Standard stainless steel enclosure: **CTB382620**

Width/Depth/Height: **380/260/205mm**

## Certification data for enclosures with terminals

Group II Category 2GD

Zone 1- Zone 2 (Gas) Zone 21 - Zone 22 (Dust)

II 2GD Ex eb IIC T.. Gb - Ex tb IIIC T.. Db IP66

II 2GD Ex ia IIC T.. Gb - Ex ia IIIC T.. Db IP66

II 2GD Ex eb ia IIC T.. Gb - Ex tb ia IIIC T.. Db IP66

Ambient temperature: -40°C +55°C (+40°C)

Certification:

CESI 03 ATEX 333 (ATEX)

CESI 03 ATEX 115 X (ATEX)

IEC Ex CES 13.0001 (IECEX)

Russian (TR CU)

Brazilian (INMETRO)

## Accessories

	CODE
1.5mm-thick stainless steel internal mounting plate:	<b>B38-443</b>
Terminal block mounting rails:	<b>OBO2060/S</b>
Breather and drain valve:	<b>ECD-210S</b>

Other:

Padlocking system

Internal anti-condensation coating

External epoxy coatings in different colour

Body and cover thickness of 3 mm

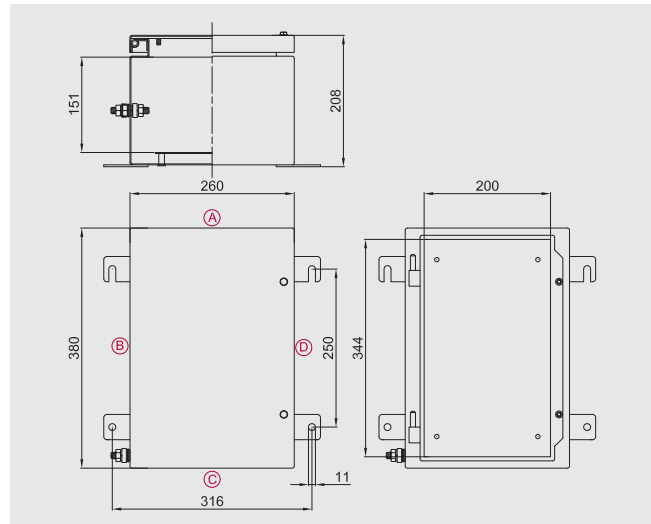
Clip for grouping cables in single bundle

M6 or M8 through earth connection

Possible drilling of the enclosure bottom

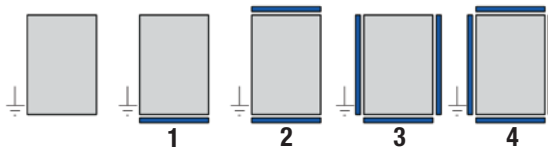
Key locking system

ED.2023



## Ordering details for boxes with removable gland plates

### Removable gland plate position coding



### Ordering code examples

#### 1) CTB503516S3

500x350x160 stainless steel box with 3 removable gland plates

#### 2) CTB624520S4

620x450x205 stainless steel box with 4 removable gland plates

## Max. number of terminals

X-SECT.	QTY.
2.5 mm <sup>2</sup>	2x71
4 mm <sup>2</sup>	2x49
6 mm <sup>2</sup>	2x41
10 mm <sup>2</sup>	2x31
16 mm <sup>2</sup>	2x20
25 mm <sup>2</sup>	15
35 mm <sup>2</sup>	15
50 mm <sup>2</sup>	13
70 mm <sup>2</sup>	11



Eg. 2x22= 2 rows of 22 terminals (total 44 terminals). The maximum number of standard terminals refers to the mounting of CABUR and/or WEIDMULLER terminals.

The data in the table are given as a rough guide only based solely on the size of the enclosures and the space taken up by the terminals.

## Number of cable glands

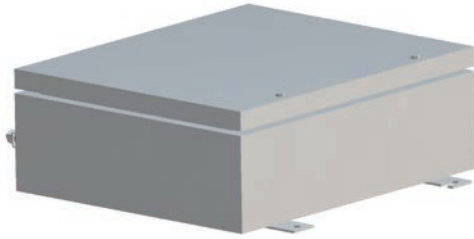
Standard enclosure			With removable gland plates		
Hole type	A/C	B/D	Hole type	A/C	B/D
M20	15	24	M20	15	18
M25	12	21	M25	12	15
M32	8	12	M32	8	8
M40	6	10	M40	6	5
M50	6	8	M50	4	3
M63	2	3			



Research conducted using Cortem's new NAV and NEV series cable glands.

As required by the current standard, holes can be drilled by Cortem or by authorized partners who hold a production notification in accordance with ATEX Directive.

# CTB... series (Ex e) and (Ex i) stainless steel junction boxes



Zone 1,2,21,22.  
Degree of protection IP66.  
Stainless steel body and lid.  
Acid/hydrocarbon-resistant gasket.  
Stainless steel bolts and screws.  
Impact protection IK10.

## Ordering details

Standard stainless steel enclosure: **CTB453816**

Width/Depth/Height: **450/380/160mm**

## Certification data for enclosures with terminals

Group II Category 2GD

Zone 1 - Zone 2 (Gas) Zone 21 - Zone 22 (Dust)

II 2GD Ex eb IIC T.. Gb - Ex tb IIIC T.. Db IP66

II 2GD Ex ia IIC T.. Gb - Ex ia IIIC T.. Db IP66

II 2GD Ex eb ia IIC T.. Gb - Ex tb ia IIIC T.. Db IP66

Ambient temperature: -40°C +55°C (+40°C)

Certification:

CESI 03 ATEX 333 (ATEX)

CESI 03 ATEX 115 X (ATEX)

IEC Ex CES 13.0001 (IECEX)

Russian (TR CU)

Brazilian (INMETRO)

## Accessories

	CODE
1.5mm-thick stainless steel internal mounting plate:	<b>B45-443</b>
Terminal block mounting rails:	<b>OBO2060/S</b>
Breather and drain valve:	<b>ECD-210S</b>

Other:

Padlocking system

Internal anti-condensation coating

External epoxy coatings in different colour

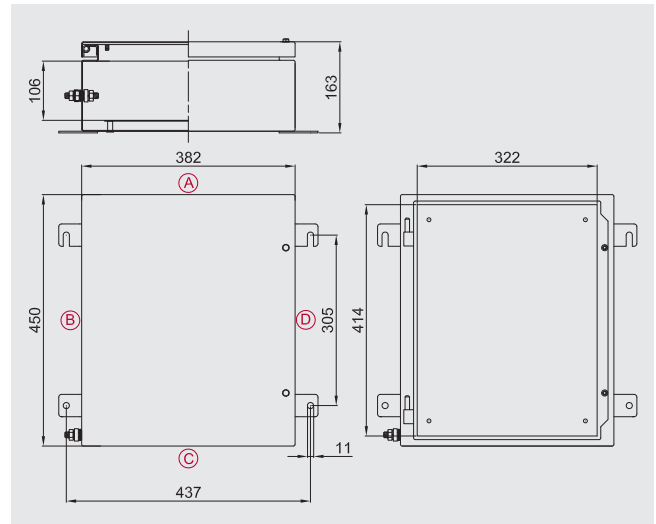
Body and cover thickness of 3 mm

Clip for grouping cables in single bundle

M6 or M8 through earth connection

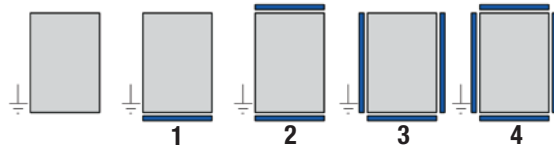
Possible drilling of the enclosure bottom

Key locking system



## Ordering details for boxes with removable gland plates

### Removable gland plate position coding



### Ordering code examples

#### 1) CTB503516S3

500x350x160 stainless steel box with 3 removable gland plates

#### 2) CTB624520S4

620x450x205 stainless steel box with 4 removable gland plates

## Max. number of terminals

X-SECT.	QTY.
2.5 mm <sup>2</sup>	2x65
4 mm <sup>2</sup>	2x54
6 mm <sup>2</sup>	2x41
10 mm <sup>2</sup>	2x32
16 mm <sup>2</sup>	2x27
25 mm <sup>2</sup>	2x20
35 mm <sup>2</sup>	2x20
50 mm <sup>2</sup>	2x17
70 mm <sup>2</sup>	2x15



Eg. 2x22= 2 rows of 22 terminals (total 44 terminals). The maximum number of standard terminals refers to the mounting of CABUR and/or WEIDMULLER terminals.

The data in the table are given as a rough guide only based solely on the size of the enclosures and the space taken up by the terminals.

## Number of cable glands

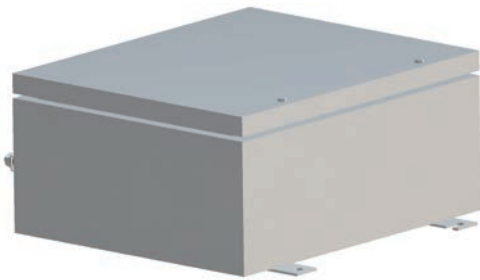
Standard enclosure			With removable gland plates		
Hole type	A/C	B/D	Hole type	A/C	B/D
M20	16	20	M20	16	16
M25	14	16	M25	14	14
M32	6	7	M32	6	6
M40	5	6	M40	5	5
M50	4	5	M50	4	4
M63	3	4	M63	3	3



Research conducted using Cortem's new NAV and NEV series cable glands.

As required by the current standard, holes can be drilled by Cortem or by authorized partners who hold a production notification in accordance with ATEX Directive.

# CTB... series (Ex e) and (Ex i) stainless steel junction boxes



Zone 1,2,21,22.  
 Degree of protection IP66.  
 Stainless steel body and lid.  
 Acid/hydrocarbon-resistant gasket.  
 Stainless steel bolts and screws.  
 Impact protection IK10.

## Ordering details

Standard stainless steel enclosure:	<b>CTB453820</b>
Width/Depth/Height:	<b>450/380/205mm</b>

## Certification data for enclosures with terminals

Group II Category 2GD
Zone 1- Zone 2 (Gas) Zone 21 - Zone 22 (Dust)
II 2GD Ex eb IIC T.. Gb - Ex tb IIIC T.. Db IP66
II 2GD Ex ia IIC T.. Gb - Ex ia IIIC T.. Db IP66
II 2GD Ex eb ia IIC T.. Gb - Ex tb ia IIIC T.. Db IP66
Ambient temperature: -40°C +55°C (+40°C)

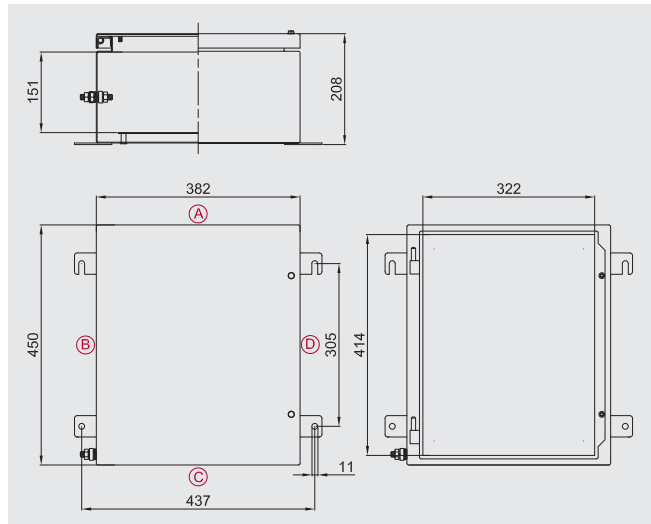
Certification:  
 CESI 03 ATEX 333 (ATEX)  
 CESI 03 ATEX 115 X (ATEX)  
 IEC Ex CES 13.0001 (IECEX)  
 Russian (TR CU)  
 Brazilian (INMETRO)

## Accessories

	CODE
1.5mm-thick stainless steel internal mounting plate:	<b>B45-443</b>
Terminal block mounting rails:	<b>OBO2060/S</b>
Breather and drain valve:	<b>ECD-210S</b>

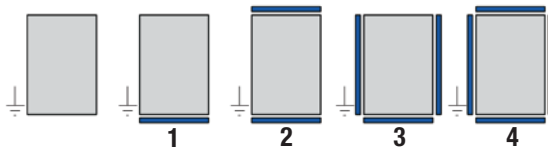
Other:  
 Padlocking system  
 Internal anti-condensation coating  
 External epoxy coatings in different colour  
 Body and cover thickness of 3 mm  
 Clip for grouping cables in single bundle  
 M6 or M8 through earth connection  
 Possible drilling of the enclosure bottom  
 Key locking system

ED.2023



## Ordering details for boxes with removable gland plates

### Removable gland plate position coding



### Ordering code examples

- CTB503516S3**  
500x350x160 stainless steel box with 3 removable gland plates
- CTB624520S4**  
620x450x205 stainless steel box with 4 removable gland plates

## Max. number of terminals

X-SECT.	QTY.
2.5 mm <sup>2</sup>	2x65
4 mm <sup>2</sup>	2x54
6 mm <sup>2</sup>	2x41
10 mm <sup>2</sup>	2x32
16 mm <sup>2</sup>	2x27
25 mm <sup>2</sup>	2x20
70 mm <sup>2</sup>	2x15
185 mm <sup>2</sup>	8
300 mm <sup>2</sup>	6



Eg. 2x22= 2 rows of 22 terminals (total 44 terminals). The maximum number of standard terminals refers to the mounting of CABUR and/or WEIDMULLER terminals.  
 The data in the table are given as a rough guide only based solely on the size of the enclosures and the space taken up by the terminals.

## Number of cable glands

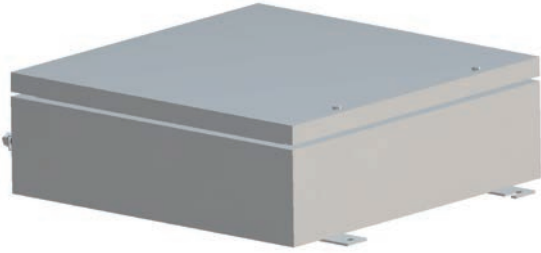
Standard enclosure			With removable gland plates		
Hole type	A/C	B/D	Hole type	A/C	B/D
M20	24	30	M20	24	24
M25	21	24	M25	20	20
M32	12	14	M32	12	12
M40	10	12	M40	8	8
M50	8	10	M50	4	4
M63	3	4	M63	3	3



Research conducted using Cortem's new NAV and NEV series cable glands.

As required by the current standard, holes can be drilled by Cortem or by authorized partners who hold a production notification in accordance with ATEX Directive.

# CTB... series (Ex e) and (Ex i) stainless steel junction boxes



Zone 1,2,21,22.  
Degree of protection IP66.  
Stainless steel body and lid.  
Acid/hydrocarbon-resistant gasket.  
Stainless steel bolts and screws.  
Impact protection IK10.

## Ordering details

Standard stainless steel enclosure: **CTB484816**

Width/Depth/Height: **480/480/160mm**

## Certification data for enclosures with terminals

Group II Category 2GD

Zone 1 - Zone 2 (Gas) Zone 21 - Zone 22 (Dust)

II 2GD Ex eb IIC T.. Gb - Ex tb IIIC T.. Db IP66

II 2GD Ex ia IIC T.. Gb - Ex ia IIIC T.. Db IP66

II 2GD Ex eb ia IIC T.. Gb - Ex tb ia IIIC T.. Db IP66

Ambient temperature: -40°C +55°C (+40°C)

Certification:

CESI 03 ATEX 333 (ATEX)

CESI 03 ATEX 115 X (ATEX)

IEC Ex CES 13.0001 (IECEX)

Russian (TR CU)

Brazilian (INMETRO)

## Accessories

	CODE
1.5mm-thick stainless steel internal mounting plate:	<b>B48-443</b>
Terminal block mounting rails:	<b>OBO2060/S</b>
Breather and drain valve:	<b>ECD-210S</b>

Other:

Padlocking system

Internal anti-condensation coating

External epoxy coatings in different colour

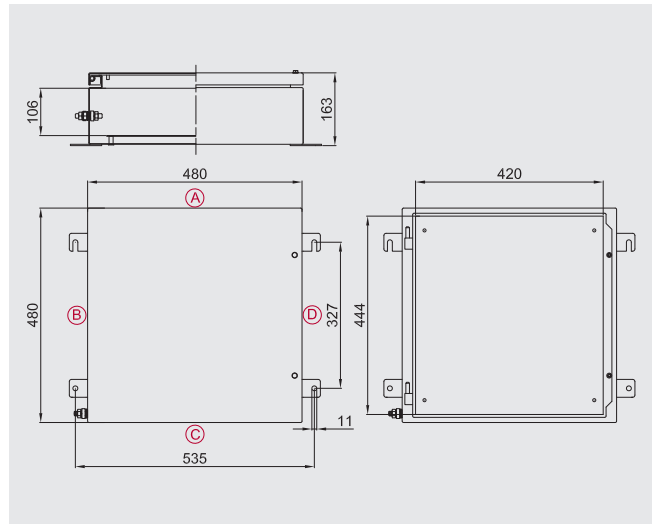
Body and cover thickness of 3 mm

Clip for grouping cables in single bundle

M6 or M8 through earth connection

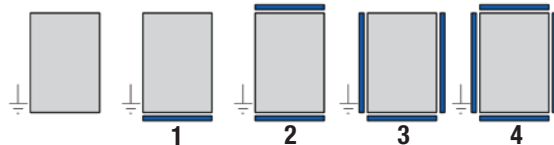
Possible drilling of the enclosure bottom

Key locking system



## Ordering details for boxes with removable gland plates

### Removable gland plate position coding



### Ordering code examples

#### 1) CTB503516S3

500x350x160 stainless steel box with 3 removable gland plates

#### 2) CTB624520S4

620x450x205 stainless steel box with 4 removable gland plates

## Max. number of terminals

X-SECT.	QTY.
2.5 mm <sup>2</sup>	3x69
4 mm <sup>2</sup>	3x58
6 mm <sup>2</sup>	3x43
10 mm <sup>2</sup>	2x34
16 mm <sup>2</sup>	2x28
25 mm <sup>2</sup>	2x21
35 mm <sup>2</sup>	2x21
50 mm <sup>2</sup>	2x18
70 mm <sup>2</sup>	2x16



Eg. 2x22= 2 rows of 22 terminals (total 44 terminals). The maximum number of standard terminals refers to the mounting of CABUR and/or WEIDMULLER terminals.

The data in the table are given as a rough guide only based solely on the size of the enclosures and the space taken up by the terminals.

## Number of cable glands

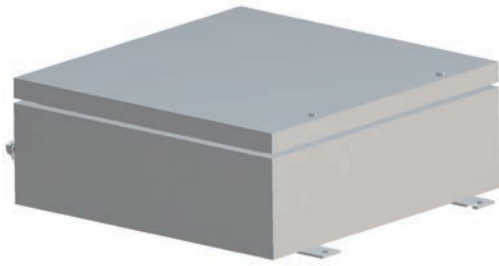
Standard enclosure			With removable gland plates		
Hole type	A/C	B/D	Hole type	A/C	B/D
M20	22	20	M20	22	18
M25	18	18	M25	18	14
M32	8	8	M32	7	6
M40	7	6	M40	5	5
M50	6	5	M50	5	4
M63	4	4	M63	4	3



Research conducted using Cortem's new NAV and NEV series cable glands.

As required by the current standard, holes can be drilled by Cortem or by authorized partners who hold a production notification in accordance with ATEX Directive.

# CTB... series (Ex e) and (Ex i) stainless steel junction boxes



Zone 1,2,21,22.  
 Degree of protection IP66.  
 Stainless steel body and lid.  
 Acid/hydrocarbon-resistant gasket.  
 Stainless steel bolts and screws.  
 Impact protection IK10.

## Ordering details

Standard stainless steel enclosure:	<b>CTB484820</b>
Width/Depth/Height:	<b>480/480/205mm</b>

## Certification data for enclosures with terminals

Group II Category 2GD
Zone 1- Zone 2 (Gas) Zone 21 - Zone 22 (Dust)
II 2GD Ex eb IIC T.. Gb - Ex tb IIIC T.. Db IP66
II 2GD Ex ia IIC T.. Gb - Ex ia IIIC T.. Db IP66
II 2GD Ex eb ia IIC T.. Gb - Ex tb ia IIIC T.. Db IP66
Ambient temperature: -40°C +55°C (+40°C)

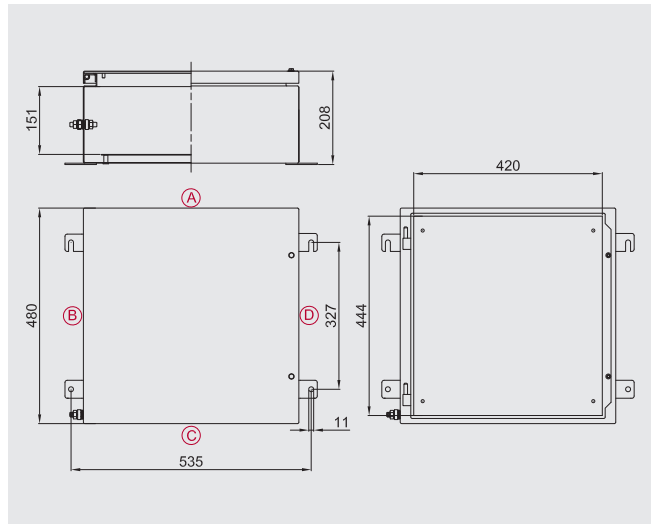
Certification:  
 CESI 03 ATEX 333 (ATEX)  
 CESI 03 ATEX 115 X (ATEX)  
 IEC Ex CES 13.0001 (IECEX)  
 Russian (TR CU)  
 Brazilian (INMETRO)

## Accessories

	CODE
1.5mm-thick stainless steel internal mounting plate:	<b>B48-443</b>
Terminal block mounting rails:	<b>OBO2060/S</b>
Breather and drain valve:	<b>ECD-210S</b>

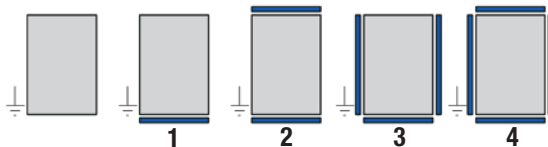
Other:  
 Padlocking system  
 Internal anti-condensation coating  
 External epoxy coatings in different colour  
 Body and cover thickness of 3 mm  
 Clip for grouping cables in single bundle  
 M6 or M8 through earth connection  
 Possible drilling of the enclosure bottom  
 Key locking system

ED.2023



## Ordering details for boxes with removable gland plates

### Removable gland plate position coding



### Ordering code examples

- CTB503516S3**  
500x350x160 stainless steel box with 3 removable gland plates
- CTB624520S4**  
620x450x205 stainless steel box with 4 removable gland plates

## Max. number of terminals

X-SECT.	QTY.
2.5 mm <sup>2</sup>	3x69
4 mm <sup>2</sup>	3x58
6 mm <sup>2</sup>	3x43
10 mm <sup>2</sup>	2x34
16 mm <sup>2</sup>	2x28
25 mm <sup>2</sup>	2x21
70 mm <sup>2</sup>	2x16
185 mm <sup>2</sup>	9
300 mm <sup>2</sup>	6



Eg. 2x22= 2 rows of 22 terminals (total 44 terminals). The maximum number of standard terminals refers to the mounting of CABUR and/or WEIDMULLER terminals.  
 The data in the table are given as a rough guide only based solely on the size of the enclosures and the space taken up by the terminals.

## Number of cable glands

Standard enclosure			With removable gland plates		
Hole type	A/C	B/D	Hole type	A/C	B/D
M20	32	30	M20	32	27
M25	26	26	M25	24	21
M32	16	14	M32	14	12
M40	13	12	M40	12	8
M50	11	10	M50	5	4
M63	4	4	M63	4	3



Research conducted using Cortem's new NAV and NEV series cable glands.

As required by the current standard, holes can be drilled by Cortem or by authorized partners who hold a production notification in accordance with ATEX Directive.

# CTB... series (Ex e) and (Ex i) stainless steel junction boxes



Zone 1,2,21,22.  
Degree of protection IP66.  
Stainless steel body and lid.  
Acid/hydrocarbon-resistant gasket.  
Stainless steel bolts and screws.  
Impact protection IK10.

## Ordering details

Standard stainless steel enclosure: **CTB503516**

Width/Depth/Height: **500/350/160mm**

## Certification data for enclosures with terminals

Group II Category 2GD

Zone 1 - Zone 2 (Gas) Zone 21 - Zone 22 (Dust)

II 2GD Ex eb IIC T.. Gb - Ex tb IIIC T.. Db IP66

II 2GD Ex ia IIC T.. Gb - Ex ia IIIC T.. Db IP66

II 2GD Ex eb ia IIC T.. Gb - Ex tb ia IIIC T.. Db IP66

Ambient temperature: -40°C +55°C (+40°C)

Certification:

CESI 03 ATEX 333 (ATEX)

CESI 03 ATEX 115 X (ATEX)

IEC Ex CES 13.0001 (IECEX)

Russian (TR CU)

Brazilian (INMETRO)

## Accessories

	CODE
1.5mm-thick stainless steel internal mounting plate:	<b>B50-443</b>
Terminal block mounting rails:	<b>OBO2060/S</b>
Breather and drain valve:	<b>ECD-210S</b>

Other:

Padlocking system

Internal anti-condensation coating

External epoxy coatings in different colour

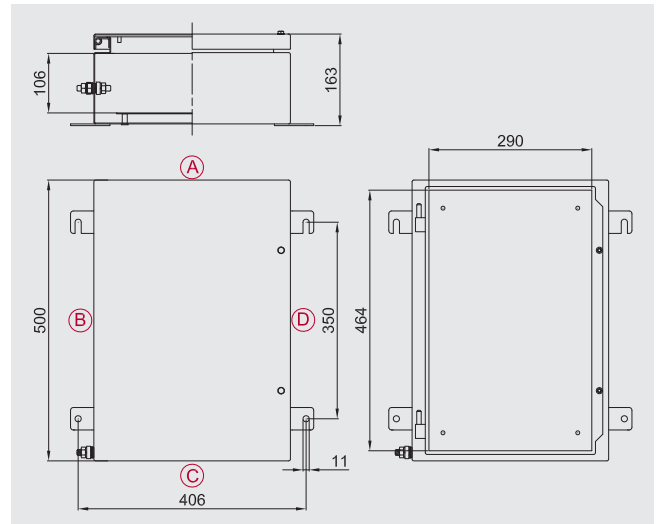
Body and cover thickness of 3 mm

Clip for grouping cables in single bundle

M6 or M8 through earth connection

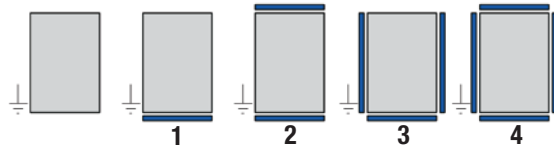
Possible drilling of the enclosure bottom

Key locking system



## Ordering details for boxes with removable gland plates

### Removable gland plate position coding



### Ordering code examples

#### 1) CTB503516S3

500x350x160 stainless steel box with 3 removable gland plates

#### 2) CTB624520S4

620x450x205 stainless steel box with 4 removable gland plates

## Max. number of terminals

X-SECT.	QTY.
2.5 mm <sup>2</sup>	2x73
4 mm <sup>2</sup>	2x61
6 mm <sup>2</sup>	2x46
10 mm <sup>2</sup>	2x36
16 mm <sup>2</sup>	2x30
25 mm <sup>2</sup>	2x22
35 mm <sup>2</sup>	2x22
50 mm <sup>2</sup>	2x19
70 mm <sup>2</sup>	2x17



Eg. 2x22= 2 rows of 22 terminals (total 44 terminals). The maximum number of standard terminals refers to the mounting of CABUR and/or WEIDMULLER terminals.

The data in the table are given as a rough guide only based solely on the size of the enclosures and the space taken up by the terminals.

## Number of cable glands

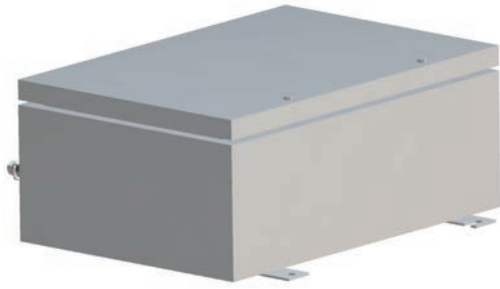
Standard enclosure			With removable gland plates		
Hole type	A/C	B/D	Hole type	A/C	B/D
M20	14	22	M20	14	16
M25	12	19	M25	12	12
M32	5	8	M32	5	5
M40	4	7	M40	4	4
M50	4	6	M50	4	4
M63	3	4	M63	3	3



Research conducted using Cortem's new NAV and NEV series cable glands.

As required by the current standard, holes can be drilled by Cortem or by authorized partners who hold a production notification in accordance with ATEX Directive.

# CTB... series (Ex e) and (Ex i) stainless steel junction boxes



Zone 1,2,21,22.  
 Degree of protection IP66.  
 Stainless steel body and lid.  
 Acid/hydrocarbon-resistant gasket.  
 Stainless steel bolts and screws.  
 Impact protection IK10.

## Ordering details

Standard stainless steel enclosure:	<b>CTB503520</b>
Width/Depth/Height:	<b>500/350/205mm</b>

## Certification data for enclosures with terminals

Group II Category 2GD
Zone 1- Zone 2 (Gas) Zone 21 - Zone 22 (Dust)
II 2GD Ex eb IIC T.. Gb - Ex tb IIIC T.. Db IP66
II 2GD Ex ia IIC T.. Gb - Ex ia IIIC T.. Db IP66
II 2GD Ex eb ia IIC T.. Gb - Ex tb ia IIIC T.. Db IP66
Ambient temperature: -40°C +55°C (+40°C)

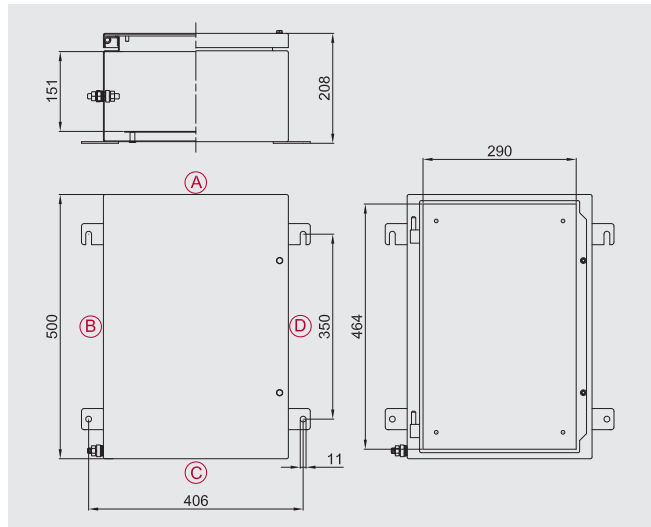
Certification:  
 CESI 03 ATEX 333 (ATEX)  
 CESI 03 ATEX 115 X (ATEX)  
 IEC Ex CES 13.0001 (IECEX)  
 Russian (TR CU)  
 Brazilian (INMETRO)

## Accessories

	CODE
1.5mm-thick stainless steel internal mounting plate:	<b>B50-443</b>
Terminal block mounting rails:	<b>OBO2060/S</b>
Breather and drain valve:	<b>ECD-210S</b>

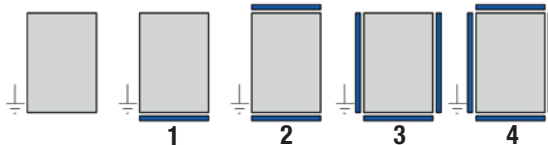
Other:  
 Padlocking system  
 Internal anti-condensation coating  
 External epoxy coatings in different colour  
 Body and cover thickness of 3 mm  
 Clip for grouping cables in single bundle  
 M6 or M8 through earth connection  
 Possible drilling of the enclosure bottom  
 Key locking system

ED.2023



## Ordering details for boxes with removable gland plates

### Removable gland plate position coding



### Ordering code examples

- CTB503516S3**  
500x350x160 stainless steel box with 3 removable gland plates
- CTB624520S4**  
620x450x205 stainless steel box with 4 removable gland plates

## Max. number of terminals

X-SECT.	QTY.
2.5 mm <sup>2</sup>	2x73
4 mm <sup>2</sup>	2x61
6 mm <sup>2</sup>	2x46
10 mm <sup>2</sup>	2x36
16 mm <sup>2</sup>	2x30
25 mm <sup>2</sup>	2x22
70 mm <sup>2</sup>	2x17
185 mm <sup>2</sup>	10
300 mm <sup>2</sup>	6



Eg. 2x22= 2 rows of 22 terminals (total 44 terminals). The maximum number of standard terminals refers to the mounting of CABUR and/or WEIDMULLER terminals.  
 The data in the table are given as a rough guide only based solely on the size of the enclosures and the space taken up by the terminals.

## Number of cable glands

Standard enclosure			With removable gland plates		
Hole type	A/C	B/D	Hole type	A/C	B/D
M20	21	33	M20	21	24
M25	18	27	M25	17	18
M32	12	16	M32	10	10
M40	10	14	M40	8	8
M50	7	11	M50	4	4
M63	3	4	M63	3	3

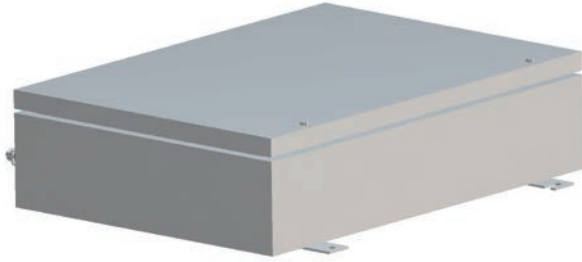


Research conducted using Cortem's new NAV and NEV series cable glands.

As required by the current standard, holes can be drilled by Cortem or by authorized partners who hold a production notification in accordance with ATEX Directive.



# CTB... series (Ex e) and (Ex i) stainless steel junction boxes



Zone 1,2,21,22.  
Degree of protection IP66.  
Stainless steel body and lid.  
Acid/hydrocarbon-resistant gasket.  
Stainless steel bolts and screws.  
Impact protection IK10.

## Ordering details

Standard stainless steel enclosure: **CTB624516**

Width/Depth/Height: **620/450/160mm**

## Certification data for enclosures with terminals

Group II Category 2GD

Zone 1 - Zone 2 (Gas) Zone 21 - Zone 22 (Dust)

II 2GD Ex eb IIC T.. Gb - Ex tb IIIC T.. Db IP66

II 2GD Ex ia IIC T.. Gb - Ex ia IIIC T.. Db IP66

II 2GD Ex eb ia IIC T.. Gb - Ex tb ia IIIC T.. Db IP66

Ambient temperature: -40°C +55°C (+40°C)

Certification:

CESI 03 ATEX 333 (ATEX)

CESI 03 ATEX 115 X (ATEX)

IEC Ex CES 13.0001 (IECEX)

Russian (TR CU)

Brazilian (INMETRO)

## Accessories

	CODE
1.5mm-thick stainless steel internal mounting plate:	<b>B62-443</b>
Terminal block mounting rails:	<b>OBO2060/S</b>
Breather and drain valve:	<b>ECD-210S</b>

Other:

Padlocking system

Internal anti-condensation coating

External epoxy coatings in different colour

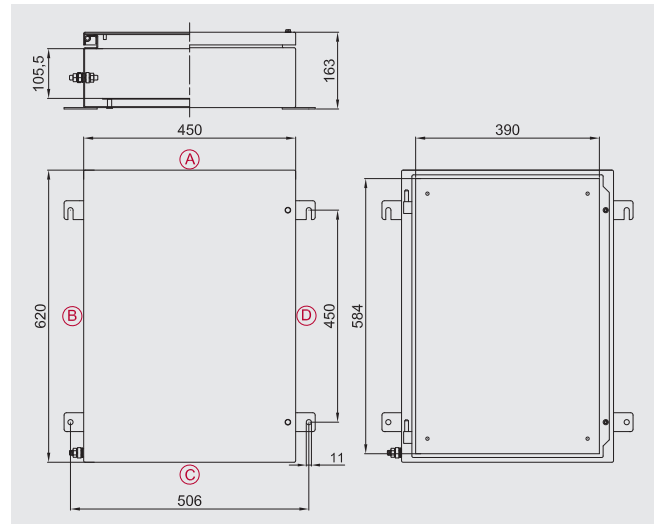
Body and cover thickness of 3 mm

Clip for grouping cables in single bundle

M6 or M8 through earth connection

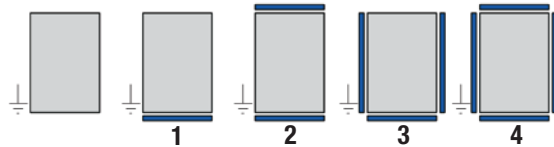
Possible drilling of the enclosure bottom

Key locking system



## Ordering details for boxes with removable gland plates

### Removable gland plate position coding



### Ordering code examples

#### 1) CTB503516S3

500x350x160 stainless steel box with 3 removable gland plates

#### 2) CTB624520S4

620x450x205 stainless steel box with 4 removable gland plates

## Max. number of terminals

X-SECT.	QTY.
2.5 mm <sup>2</sup>	3x97
4 mm <sup>2</sup>	3x81
6 mm <sup>2</sup>	3x61
10 mm <sup>2</sup>	2x48
16 mm <sup>2</sup>	2x40
25 mm <sup>2</sup>	2x30
35 mm <sup>2</sup>	2x30
50 mm <sup>2</sup>	2x26
70 mm <sup>2</sup>	2x23



Eg. 2x22= 2 rows of 22 terminals (total 44 terminals). The maximum number of standard terminals refers to the mounting of CABUR and/or WEIDMULLER terminals.

The data in the table are given as a rough guide only based solely on the size of the enclosures and the space taken up by the terminals.

## Number of cable glands

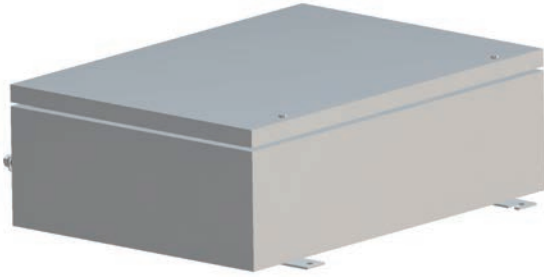
Standard enclosure			With removable gland plates		
Hole type	A/C	B/D	Hole type	A/C	B/D
M20	20	28	M20	19	22
M25	18	24	M25	16	16
M32	7	10	M32	7	7
M40	6	9	M40	6	6
M50	5	7	M50	5	5
M63	4	6	M63	4	4



Research conducted using Cortem's new NAV and NEV series cable glands.

As required by the current standard, holes can be drilled by Cortem or by authorized partners who hold a production notification in accordance with ATEX Directive.

# CTB... series (Ex e) and (Ex i) stainless steel junction boxes



Zone 1,2,21,22.  
 Degree of protection IP66.  
 Stainless steel body and lid.  
 Acid/hydrocarbon-resistant gasket.  
 Stainless steel bolts and screws.  
 Impact protection IK10.

## Ordering details

Standard stainless steel enclosure:	<b>CTB624520</b>
Width/Depth/Height:	<b>620/450/205mm</b>

## Certification data for enclosures with terminals

Group II Category 2GD
Zone 1- Zone 2 (Gas) Zone 21 - Zone 22 (Dust)
II 2GD Ex eb IIC T.. Gb - Ex tb IIIC T.. Db IP66
II 2GD Ex ia IIC T.. Gb - Ex ia IIIC T.. Db IP66
II 2GD Ex eb ia IIC T.. Gb - Ex tb ia IIIC T.. Db IP66
Ambient temperature: -40°C +55°C (+40°C)

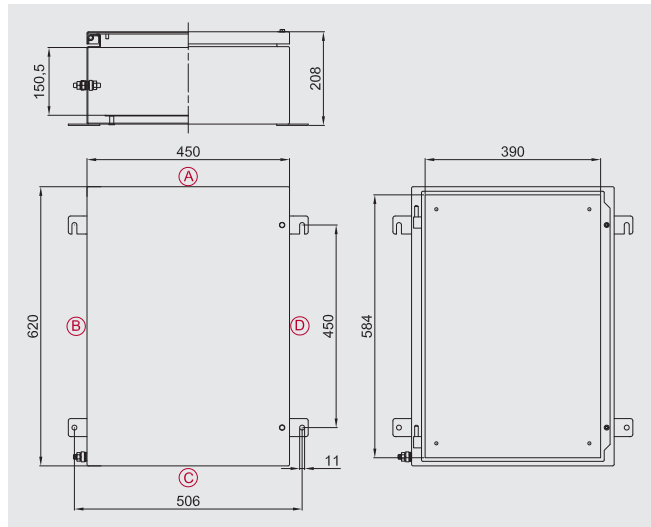
Certification:  
 CESI 03 ATEX 333 (ATEX)  
 CESI 03 ATEX 115 X (ATEX)  
 IEC Ex CES 13.0001 (IECEX)  
 Russian (TR CU)  
 Brazilian (INMETRO)

## Accessories

	CODE
1.5mm-thick stainless steel internal mounting plate:	<b>B62-443</b>
Terminal block mounting rails:	<b>OBO2060/S</b>
Breather and drain valve:	<b>ECD-210S</b>

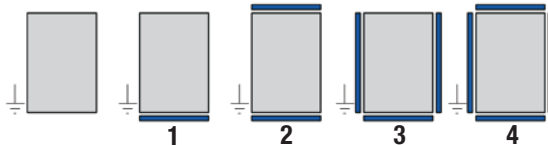
Other:  
 Padlocking system  
 Internal anti-condensation coating  
 External epoxy coatings in different colour  
 Body and cover thickness of 3 mm  
 Clip for grouping cables in single bundle  
 M6 or M8 through earth connection  
 Possible drilling of the enclosure bottom  
 Key locking system

ED.2023



## Ordering details for boxes with removable gland plates

### Removable gland plate position coding



### Ordering code examples

- CTB503516S3**  
500x350x160 stainless steel box with 3 removable gland plates
- CTB624520S4**  
620x450x205 stainless steel box with 4 removable gland plates

## Max. number of terminals

X-SECT.	QTY.
2.5 mm <sup>2</sup>	3x97
4 mm <sup>2</sup>	3x81
6 mm <sup>2</sup>	3x61
10 mm <sup>2</sup>	2x48
16 mm <sup>2</sup>	2x40
25 mm <sup>2</sup>	2x30
70 mm <sup>2</sup>	2x23
185 mm <sup>2</sup>	13
300 mm <sup>2</sup>	9



Eg. 2x22= 2 rows of 22 terminals (total 44 terminals). The maximum number of standard terminals refers to the mounting of CABUR and/or WEIDMULLER terminals.  
 The data in the table are given as a rough guide only based solely on the size of the enclosures and the space taken up by the terminals.

## Number of cable glands

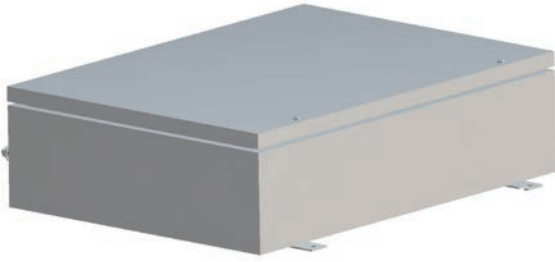
Standard enclosure			With removable gland plates		
Hole type	A/C	B/D	Hole type	A/C	B/D
M20	30	39	M20	29	33
M25	26	36	M25	23	24
M32	14	20	M32	14	14
M40	12	18	M40	10	12
M50	10	15	M50	5	5
M63	4	6	M63	4	4



Research conducted using Cortem's new NAV and NEV series cable glands.

As required by the current standard, holes can be drilled by Cortem or by authorized partners who hold a production notification in accordance with ATEX Directive.

# CTB... series (Ex e) and (Ex i) stainless steel junction boxes



Zone 1,2,21,22.  
Degree of protection IP66.  
Stainless steel body and lid.  
Acid/hydrocarbon-resistant gasket.  
Stainless steel bolts and screws.  
Impact protection IK10.

## Ordering details

Standard stainless steel enclosure: **CTB745520**

Width/Depth/Height: **740/550/205mm**

## Certification data for enclosures with terminals

Group II Category 2GD

Zone 1 - Zone 2 (Gas) Zone 21 - Zone 22 (Dust)

II 2GD Ex eb IIC T.. Gb - Ex tb IIIC T.. Db IP66

II 2GD Ex ia IIC T.. Gb - Ex ia IIIC T.. Db IP66

II 2GD Ex eb ia IIC T.. Gb - Ex tb ia IIIC T.. Db IP66

Ambient temperature: -40°C +55°C (+40°C)

Certification:

CESI 03 ATEX 333 (ATEX)

CESI 03 ATEX 115 X (ATEX)

IEC Ex CES 13.0001 (IECEX)

Russian (TR CU)

Brazilian (INMETRO)

## Accessories

	CODE
2mm-thick stainless steel internal mounting plate:	<b>B74-443</b>
Terminal block mounting rails:	<b>OBO2060/S</b>
Breather and drain valve:	<b>ECD-210S</b>

Other:

Padlocking system

Internal anti-condensation coating

External epoxy coatings in different colour

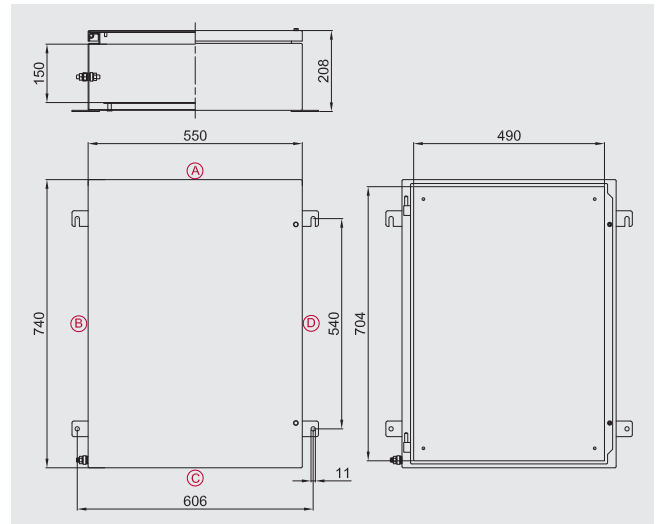
Body and cover thickness of 3 mm

Clip for grouping cables in single bundle

M6 or M8 through earth connection

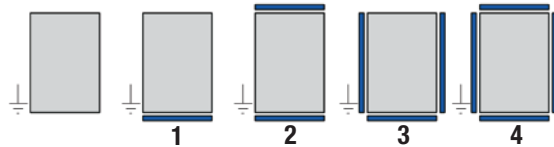
Possible drilling of the enclosure bottom

Key locking system



## Ordering details for boxes with removable gland plates

### Removable gland plate position coding



### Ordering code examples

#### 1) CTB503516S3

500x350x160 stainless steel box with 3 removable gland plates

#### 2) CTB624520S4

620x450x205 stainless steel box with 4 removable gland plates

## Max. number of terminals

X-SECT.	QTY.
2.5 mm <sup>2</sup>	4x121
4 mm <sup>2</sup>	4x101
6 mm <sup>2</sup>	4x76
10 mm <sup>2</sup>	3x60
16 mm <sup>2</sup>	3x50
25 mm <sup>2</sup>	3x37
70 mm <sup>2</sup>	3x29
185 mm <sup>2</sup>	16
300 mm <sup>2</sup>	11



Eg. 2x22= 2 rows of 22 terminals (total 44 terminals). The maximum number of standard terminals refers to the mounting of CABUR and/or WEIDMULLER terminals.

The data in the table are given as a rough guide only based solely on the size of the enclosures and the space taken up by the terminals.

## Number of cable glands

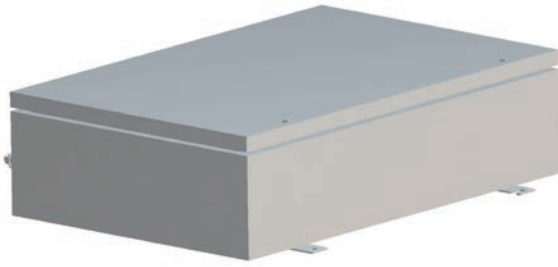
Standard enclosure			With removable gland plates		
Hole type	A/C	B/D	Hole type	A/C	B/D
M20	36	50	M20	36	42
M25	32	42	M25	30	30
M32	16	24	M32	16	18
M40	16	21	M40	13	14
M50	13	17	M50	7	7
M63	5	7	M63	5	5



Research conducted using Cortem's new NAV and NEV series cable glands.

As required by the current standard, holes can be drilled by Cortem or by authorized partners who hold a production notification in accordance with ATEX Directive.

# CTB... series (Ex e) and (Ex i) stainless steel junction boxes



Zone 1,2,21,22.  
 Degree of protection IP66.  
 Stainless steel body and lid.  
 Acid/hydrocarbon-resistant gasket.  
 Stainless steel bolts and screws.  
 Impact protection IK10.

## Ordering details

Standard stainless steel enclosure:	<b>CTB765020</b>
Width/Depth/Height:	<b>762/508/205mm</b>

## Certification data for enclosures with terminals

Group II Category 2GD
Zone 1- Zone 2 (Gas) Zone 21 - Zone 22 (Dust)
II 2GD Ex eb IIC T.. Gb - Ex tb IIIC T.. Db IP66
II 2GD Ex ia IIC T.. Gb - Ex ia IIIC T.. Db IP66
II 2GD Ex eb ia IIC T.. Gb - Ex tb ia IIIC T.. Db IP66
Ambient temperature: -40°C +55°C (+40°C)

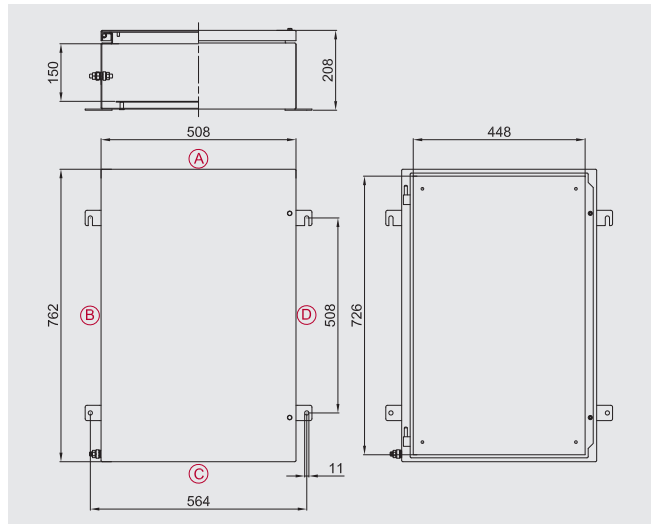
Certification:  
 CESI 03 ATEX 333 (ATEX)  
 CESI 03 ATEX 115 X (ATEX)  
 IEC Ex CES 13.0001 (IECEX)  
 Russian (TR CU)  
 Brazilian (INMETRO)

## Accessories

	CODE
2mm-thick stainless steel internal mounting plate:	<b>B76-443</b>
Terminal block mounting rails:	<b>OBO2060/S</b>
Breather and drain valve:	<b>ECD-210S</b>

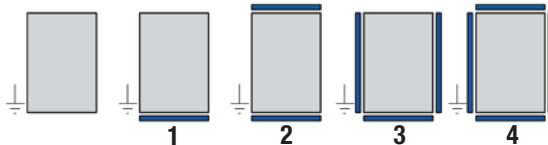
Other:  
 Padlocking system  
 Internal anti-condensation coating  
 External epoxy coatings in different colour  
 Body and cover thickness of 3 mm  
 Clip for grouping cables in single bundle  
 M6 or M8 through earth connection  
 Possible drilling of the enclosure bottom  
 Key locking system

ED.2023



## Ordering details for boxes with removable gland plates

### Removable gland plate position coding



### Ordering code examples

- CTB503516S3**  
500x350x160 stainless steel box with 3 removable gland plates
- CTB624520S4**  
620x450x205 stainless steel box with 4 removable gland plates

## Max. number of terminals

X-SECT.	QTY.
2.5 mm <sup>2</sup>	4x127
4 mm <sup>2</sup>	4x106
6 mm <sup>2</sup>	4x79
10 mm <sup>2</sup>	3x63
16 mm <sup>2</sup>	3x53
25 mm <sup>2</sup>	3x39
70 mm <sup>2</sup>	3x30
185 mm <sup>2</sup>	17
300 mm <sup>2</sup>	12



Eg. 2x22= 2 rows of 22 terminals (total 44 terminals). The maximum number of standard terminals refers to the mounting of CABUR and/or WEIDMULLER terminals.  
 The data in the table are given as a rough guide only based solely on the size of the enclosures and the space taken up by the terminals.

## Number of cable glands

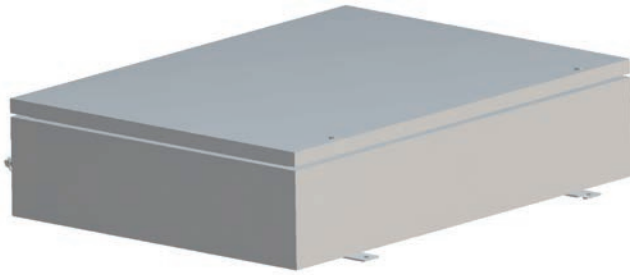
Standard enclosure			With removable gland plates		
Hole type	A/C	B/D	Hole type	A/C	B/D
M20	33	50	M20	33	42
M25	29	44	M25	16	22
M32	18	26	M32	14	22
M40	14	22	M40	10	16
M50	11	18	M50	5	8
M63	5	7	M63	4	5



Research conducted using Cortem's new NAV and NEV series cable glands.

As required by the current standard, holes can be drilled by Cortem or by authorized partners who hold a production notification in accordance with ATEX Directive.

# CTB... series (Ex e) and (Ex i) stainless steel junction boxes



Zone 1,2,21,22.  
 Degree of protection IP66.  
 Stainless steel body and lid.  
 Acid/hydrocarbon-resistant gasket.  
 Stainless steel bolts and screws.  
 Impact protection IK10.

## Ordering details

Standard stainless steel enclosure: **CTB866420**

Width/Depth/Height: **860/640/205mm**

## Certification data for enclosures with terminals

Group II Category 2GD

Zone 1 - Zone 2 (Gas) Zone 21 - Zone 22 (Dust)

II 2GD Ex eb IIC T.. Gb - Ex tb IIIC T.. Db IP66

II 2GD Ex ia IIC T.. Gb - Ex ia IIIC T.. Db IP66

II 2GD Ex eb ia IIC T.. Gb - Ex tb ia IIIC T.. Db IP66

Ambient temperature: -40°C +55°C (+40°C)

Certification:

CESI 03 ATEX 333 (ATEX)

CESI 03 ATEX 115 X (ATEX)

IEC Ex CES 13.0001 (IECEX)

Russian (TR CU)

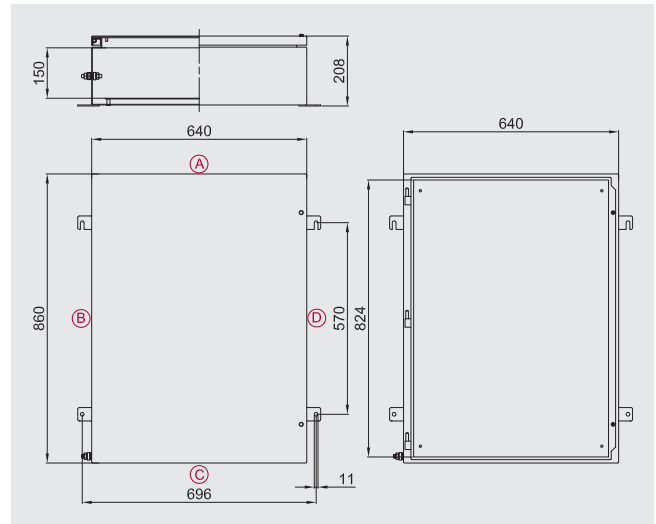
Brazilian (INMETRO)

## Accessories

	CODE
2mm-thick stainless steel internal mounting plate:	<b>B86-443</b>
Terminal block mounting rails:	<b>OBO2060/S</b>
Breather and drain valve:	<b>ECD-210S</b>

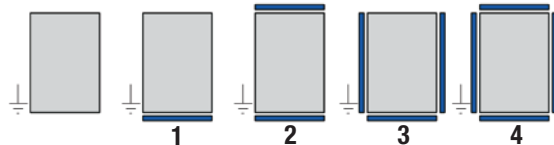
Other:

Padlocking system  
 Internal anti-condensation coating  
 External epoxy coatings in different colour  
 Body and cover thickness of 3 mm  
 Clip for grouping cables in single bundle  
 M6 or M8 through earth connection  
 Possible drilling of the enclosure bottom  
 Key locking system



## Ordering details for boxes with removable gland plates

### Removable gland plate position coding



### Ordering code examples

#### 1) CTB503516S3

500x350x160 stainless steel box with 3 removable gland plates

#### 2) CTB624520S4

620x450x205 stainless steel box with 4 removable gland plates

## Max. number of terminals

X-SECT.	QTY.
2.5 mm <sup>2</sup>	5x145
4 mm <sup>2</sup>	5x121
6 mm <sup>2</sup>	5x91
10 mm <sup>2</sup>	5x72
16 mm <sup>2</sup>	5x60
25 mm <sup>2</sup>	4x45
70 mm <sup>2</sup>	3x35
185 mm <sup>2</sup>	20
300 mm <sup>2</sup>	13



Eg. 2x22= 2 rows of 22 terminals (total 44 terminals). The maximum number of standard terminals refers to the mounting of CABUR and/or WEIDMULLER terminals.

The data in the table are given as a rough guide only based solely on the size of the enclosures and the space taken up by the terminals.

## Number of cable glands

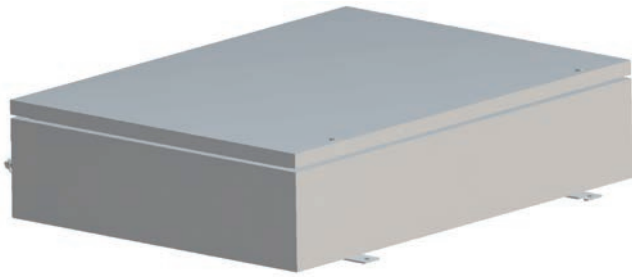
Standard enclosure			With removable gland plates		
Hole type	A/C	B/D	Hole type	A/C	B/D
M20	44	57	M20	44	48
M25	38	51	M25	36	36
M32	22	28	M32	20	20
M40	18	24	M40	16	16
M50	15	20	M50	8	8
M63	6	8	M63	6	6



Research conducted using Cortem's new NAV and NEV series cable glands.

As required by the current standard, holes can be drilled by Cortem or by authorized partners who hold a production notification in accordance with ATEX Directive.

# CTB... series (Ex e) and (Ex i) stainless steel junction boxes



Zone 1,2,21,22.  
 Degree of protection IP66.  
 Stainless steel body and lid.  
 Acid/hydrocarbon-resistant gasket.  
 Stainless steel bolts and screws.  
 Impact protection IK10.

## Ordering details

Standard stainless steel enclosure:	<b>CTB916120</b>
Width/Depth/Height:	<b>914/610/205mm</b>

## Certification data for enclosures with terminals

Group II Category 2GD
Zone 1- Zone 2 (Gas) Zone 21 - Zone 22 (Dust)
II 2GD Ex eb IIC T.. Gb - Ex tb IIIC T.. Db IP66
II 2GD Ex ia IIC T.. Gb - Ex ia IIIC T.. Db IP66
II 2GD Ex eb ia IIC T.. Gb - Ex tb ia IIIC T.. Db IP66
Ambient temperature: -40°C +55°C (+40°C)

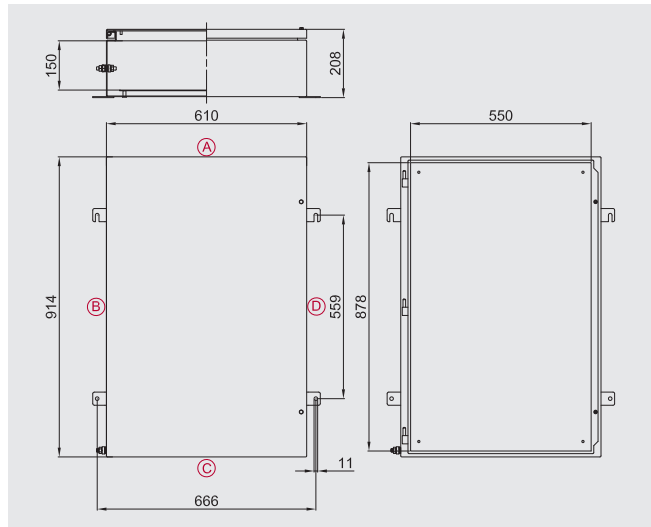
Certification:  
 CESI 03 ATEX 333 (ATEX)  
 CESI 03 ATEX 115 X (ATEX)  
 IEC Ex CES 13.0001 (IECEX)  
 Russian (TR CU)  
 Brazilian (INMETRO)

## Accessories

	CODE
2mm-thick stainless steel internal mounting plate:	<b>B91-443</b>
Terminal block mounting rails:	<b>OBO2060/S</b>
Breather and drain valve:	<b>ECD-210S</b>

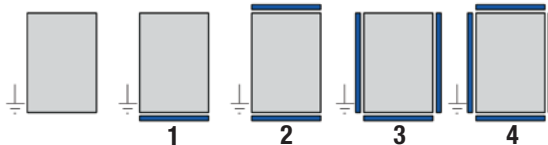
Other:  
 Padlocking system  
 Internal anti-condensation coating  
 External epoxy coatings in different colour  
 Body and cover thickness of 3 mm  
 Clip for grouping cables in single bundle  
 M6 or M8 through earth connection  
 Possible drilling of the enclosure bottom  
 Key locking system

ED.2023



## Ordering details for boxes with removable gland plates

### Removable gland plate position coding



### Ordering code examples

- CTB503516S3**  
500x350x160 stainless steel box with 3 removable gland plates
- CTB624520S4**  
620x450x205 stainless steel box with 4 removable gland plates

## Max. number of terminals

X-SECT.	QTY.
2.5 mm <sup>2</sup>	5x157
4 mm <sup>2</sup>	5x131
6 mm <sup>2</sup>	5x98
10 mm <sup>2</sup>	5x78
16 mm <sup>2</sup>	5x65
25 mm <sup>2</sup>	4x49
70 mm <sup>2</sup>	3x38
185 mm <sup>2</sup>	21
300 mm <sup>2</sup>	14



Eg. 2x22= 2 rows of 22 terminals (total 44 terminals). The maximum number of standard terminals refers to the mounting of CABUR and/or WEIDMULLER terminals.  
 The data in the table are given as a rough guide only based solely on the size of the enclosures and the space taken up by the terminals.

## Number of cable glands

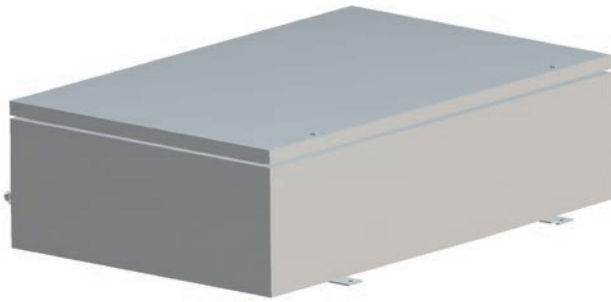
Standard enclosure			With removable gland plates		
Hole type	A/C	B/D	Hole type	A/C	B/D
M20	41	60	M20	41	48
M25	35	53	M25	22	22
M32	20	30	M32	16	22
M40	18	26	M40	8	8
M50	14	22	M50	8	8
M63	6	9	M63	4	5



Research conducted using Cortem's new NAV and NEV series cable glands.

As required by the current standard, holes can be drilled by Cortem or by authorized partners who hold a production notification in accordance with ATEX Directive.

# CTB... series (Ex e) and (Ex i) stainless steel junction boxes



Zone 1,2,21,22.  
Degree of protection IP66.  
Stainless steel body and lid.  
Acid/hydrocarbon-resistant gasket.  
Stainless steel bolts and screws.  
Impact protection IK10.

## Ordering details

Standard stainless steel enclosure: **CTB916130**

Width/Depth/Height: **914/610/305mm**

## Certification data for enclosures with terminals

Group II Category 2GD

Zone 1 - Zone 2 (Gas) Zone 21 - Zone 22 (Dust)

II 2GD Ex eb IIC T.. Gb - Ex tb IIIC T.. Db IP66

II 2GD Ex ia IIC T.. Gb - Ex ia IIIC T.. Db IP66

II 2GD Ex eb ia IIC T.. Gb - Ex tb ia IIIC T.. Db IP66

Ambient temperature: -40°C +55°C (+40°C)

Certification:

CESI 03 ATEX 333 (ATEX)

CESI 03 ATEX 115 X (ATEX)

IEC Ex CES 13.0001 (IECEX)

Russian (TR CU)

Brazilian (INMETRO)

## Accessories

	CODE
2mm-thick stainless steel internal mounting plate:	<b>B91-443</b>
Terminal block mounting rails:	<b>OBO2060/S</b>
Breather and drain valve:	<b>ECD-210S</b>

Other:

Padlocking system

Internal anti-condensation coating

External epoxy coatings in different colour

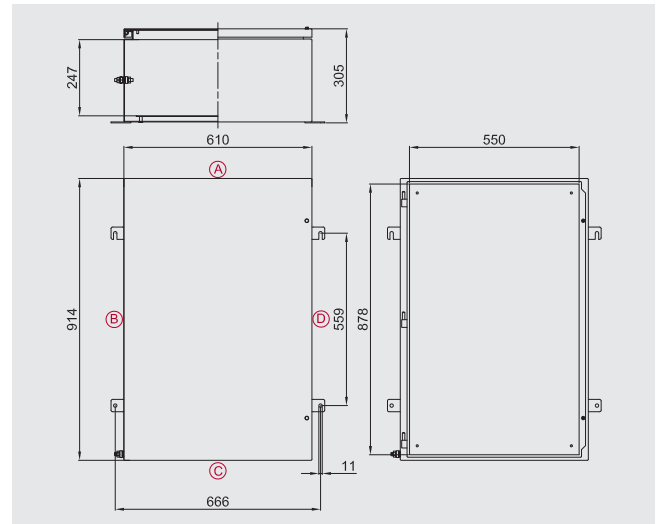
Body and cover thickness of 3 mm

Clip for grouping cables in single bundle

M6 or M8 through earth connection

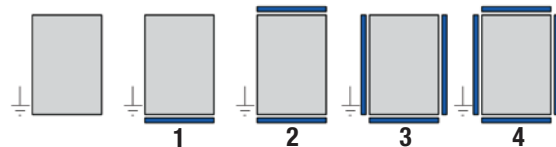
Possible drilling of the enclosure bottom

Key locking system



## Ordering details for boxes with removable gland plates

### Removable gland plate position coding



### Ordering code examples

#### 1) CTB503516S3

500x350x160 stainless steel box with 3 removable gland plates

#### 2) CTB624520S4

620x450x205 stainless steel box with 4 removable gland plates

## Max. number of terminals

X-SECT.	QTY.
2.5 mm <sup>2</sup>	5x157
4 mm <sup>2</sup>	5x131
6 mm <sup>2</sup>	5x98
10 mm <sup>2</sup>	5x78
16 mm <sup>2</sup>	5x65
25 mm <sup>2</sup>	4x49
70 mm <sup>2</sup>	3x38
185 mm <sup>2</sup>	21
300 mm <sup>2</sup>	14



Eg. 2x22= 2 rows of 22 terminals (total 44 terminals). The maximum number of standard terminals refers to the mounting of CABUR and/or WEIDMULLER terminals.

The data in the table are given as a rough guide only based solely on the size of the enclosures and the space taken up by the terminals.

## Number of cable glands

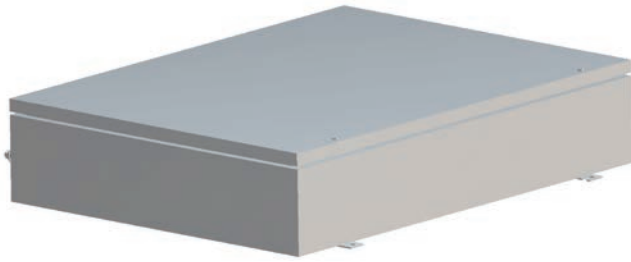
Standard enclosure			With removable gland plates		
Hole type	A/C	B/D	Hole type	A/C	B/D
M20	41	60	M20	41	48
M25	35	53	M25	22	22
M32	20	30	M32	16	22
M40	18	26	M40	8	8
M50	14	22	M50	8	8
M63	6	9	M63	4	5



Research conducted using Cortem's new NAV and NEV series cable glands.

As required by the current standard, holes can be drilled by Cortem or by authorized partners who hold a production notification in accordance with ATEX Directive.

# CTB... series (Ex e) and (Ex i) stainless steel junction boxes



Zone 1,2,21,22.  
 Degree of protection IP66.  
 Stainless steel body and lid.  
 Acid/hydrocarbon-resistant gasket.  
 Stainless steel bolts and screws.  
 Impact protection IK10.

## Ordering details

Standard stainless steel enclosure:	<b>CTB987420</b>
Width/Depth/Height:	<b>980/740/205mm</b>

## Certification data for enclosures with terminals

Group II Category 2GD
Zone 1- Zone 2 (Gas) Zone 21 - Zone 22 (Dust)
II 2GD Ex eb IIC T.. Gb - Ex tb IIIC T.. Db IP66
II 2GD Ex ia IIC T.. Gb - Ex ia IIIC T.. Db IP66
II 2GD Ex eb ia IIC T.. Gb - Ex tb ia IIIC T.. Db IP66
Ambient temperature: -40°C +55°C (+40°C)

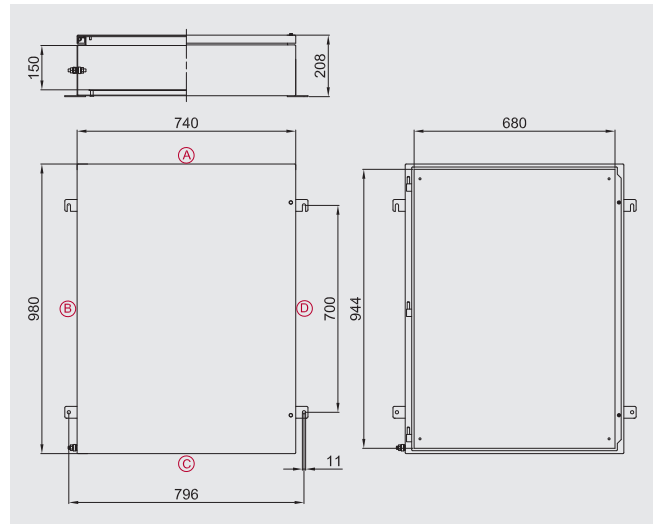
Certification:  
 CESI 03 ATEX 333 (ATEX)  
 CESI 03 ATEX 115 X (ATEX)  
 IEC Ex CES 13.0001 (IECEX)  
 Russian (TR CU)  
 Brazilian (INMETRO)

## Accessories

	CODE
2mm-thick stainless steel internal mounting plate:	<b>B98-443</b>
Terminal block mounting rails:	<b>OBO2060/S</b>
Breather and drain valve:	<b>ECD-210S</b>

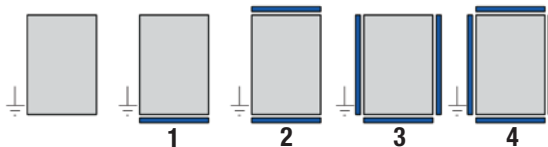
Other:  
 Padlocking system  
 Internal anti-condensation coating  
 External epoxy coatings in different colour  
 Body and cover thickness of 3 mm  
 Clip for grouping cables in single bundle  
 M6 or M8 through earth connection  
 Possible drilling of the enclosure bottom  
 Key locking system

ED.2023



## Ordering details for boxes with removable gland plates

### Removable gland plate position coding



### Ordering code examples

- CTB503516S3**  
500x350x160 stainless steel box with 3 removable gland plates
- CTB624520S4**  
620x450x205 stainless steel box with 4 removable gland plates

## Max. number of terminals

X-SECT.	QTY.
2.5 mm <sup>2</sup>	5x169
4 mm <sup>2</sup>	5x141
6 mm <sup>2</sup>	5x106
10 mm <sup>2</sup>	5x84
16 mm <sup>2</sup>	5x70
25 mm <sup>2</sup>	4x52
70 mm <sup>2</sup>	4x52
185 mm <sup>2</sup>	23
300 mm <sup>2</sup>	16



Eg. 2x22= 2 rows of 22 terminals (total 44 terminals). The maximum number of standard terminals refers to the mounting of CABUR and/or WEIDMULLER terminals.  
 The data in the table are given as a rough guide only based solely on the size of the enclosures and the space taken up by the terminals.

## Number of cable glands

Standard enclosure			With removable gland plates		
Hole type	A/C	B/D	Hole type	A/C	B/D
M20	50	63	M20	44	58
M25	44	59	M25	36	48
M32	26	34	M32	20	28
M40	22	28	M40	16	20
M50	18	24	M50	8	10
M63	7	9	M63	6	8



Research conducted using Cortem's new NAV and NEV series cable glands.

As required by the current standard, holes can be drilled by Cortem or by authorized partners who hold a production notification in accordance with ATEX Directive.